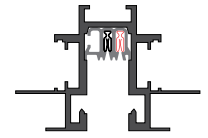




Extrusion Profile:  
**BUS-14**

Mounting Condition:  
**Recessed (R)**  
D-BAR, TRIMMED



## Mounting Rules

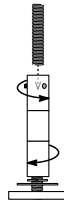
**12" [300]** A support point must be provided within 12" of every end or corner of the BusRun layout.

**4'-0" [1220]** Maximum distance between support points cannot exceed 4'-0" linear feet of 'surface' BusRun Busway

**3" [76]** Support points cannot be within 3" from the centerline on both sides of BusRun joints.

**100lb [45kg]** BusRun Busway and mounting hardware are rated for a total supported weight up to 100lbs (45kg) between Support points.

## Mounting Options

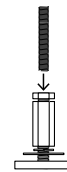


### Threaded Rod Hanger

Nickel-plated counter-rotating threaded rod hanger and mounting bar enable attachment and leveling of BusRun to fixed threaded rod.

B-HH0-TR250 for 1/4-20 rod

B-HH0-TR375 for 3/8-16 rod



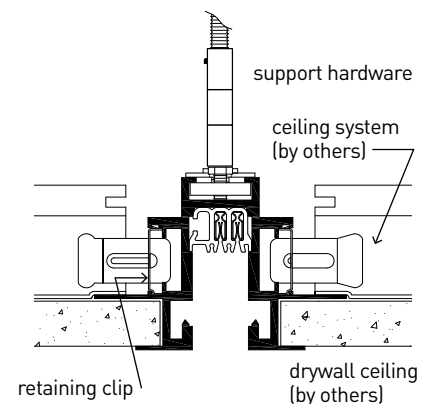
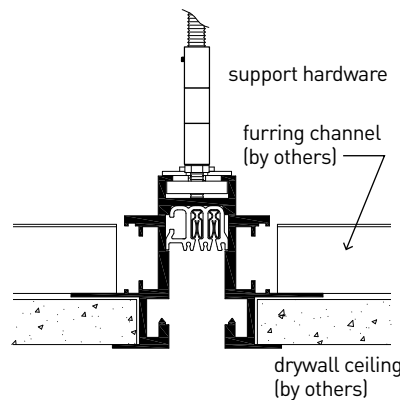
### Coupling Nut for threaded rod

B-HH0-CK-M6-01 for M6 rod

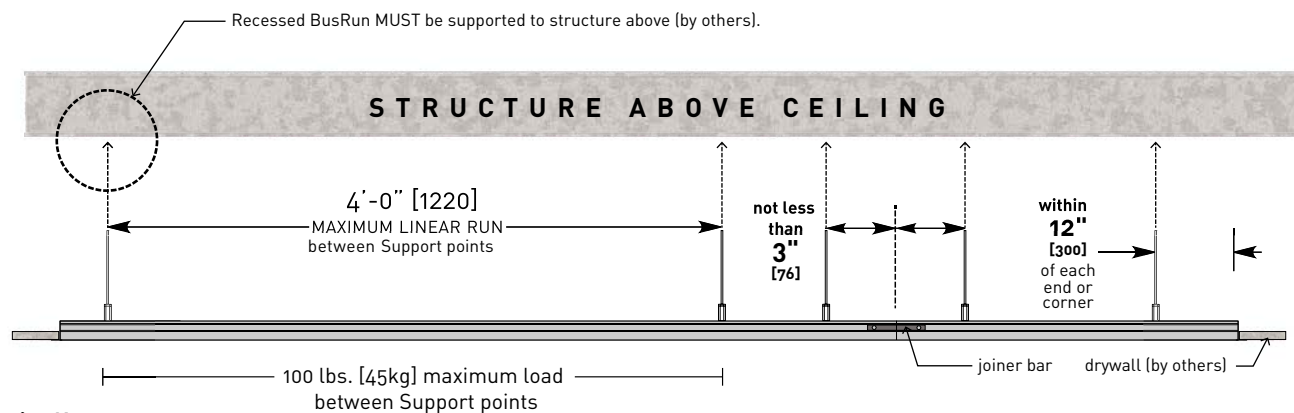


### Retaining Clip for ceiling system

TBC-IT-01 (ordered separately)



## Mounting Diagram



### Mounting Notes:

**10'-0" [3048]** Recessed BusRun section requires **3** support points.

**8'-0" [2438]** Recessed BusRun section requires **3** support points.

**4'-0" [1219]** Recessed BusRun section requires **2** support points.

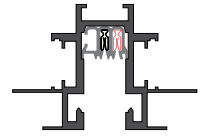
Extrusion Profile:

**BUS-14**

Mounting Condition:

**Recessed (R)**

D-BAR, TRIMMED



## Feed Options

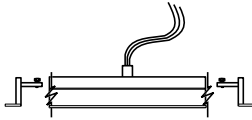
TEF-14R  
 TEC-14R (CL)



Top End Feed:  
Whip Style  
1/2" NPSM or 20mm  
top conduit

**Max Load**  
60 amp at 12v, 120v,  
240v, 277v

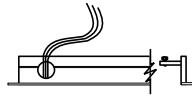
TCF-14R



Top Center Feed:  
Whip Style  
1/2" NPSM or 20mm  
top conduit

**Max Load**  
60 amp at 12v, 120v,  
240v, 277v

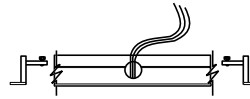
SEF-14R  
 SEC-14R (CL)



Side End Feed:  
Whip Style  
1/2" NPSM or 20mm  
top conduit

**Max Load**  
60 amp at 12v, 120v,  
240v, 277v

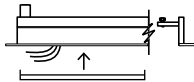
SCF-14R



Side Center Feed:  
Whip Style  
1/2" NPSM or 20mm  
top conduit

**Max Load**  
60 amp at 12v, 120v,  
240v, 277v

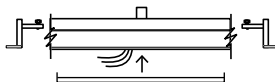
TEB-14R



Top End Feed:  
Splice Box Style  
1/2" NPSM or 20mm  
top conduit

**Max Load**  
30 amp at 120v, or  
16 amp at 240v

TCB-14R



Top Center Feed:  
Splice Box Style  
1/2" NPSM or 20mm  
top conduit

**Max Load**  
30 amp at 120v, or  
16 amp at 240v

## Notes:

1. All Splice Box feeds are 30 amp max load.
2. All feeds are supplied with two end caps.
3. Feeds cannot be modified.
4. Feeds can be made 10" to 120" long.
5. Maximum loads are per circuit.

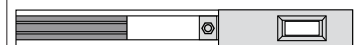
## Current Limiter (CL)

(120v only)

### Available Amperages

1.0A	120VA
1.5A	180VA
2.0A	240VA
3.0A	360VA
4.0A	480VA
5.0A	600VA
6.0A	720VA
8.0A	960VA
12.0A	1440VA

Side View



Reflected Plan View