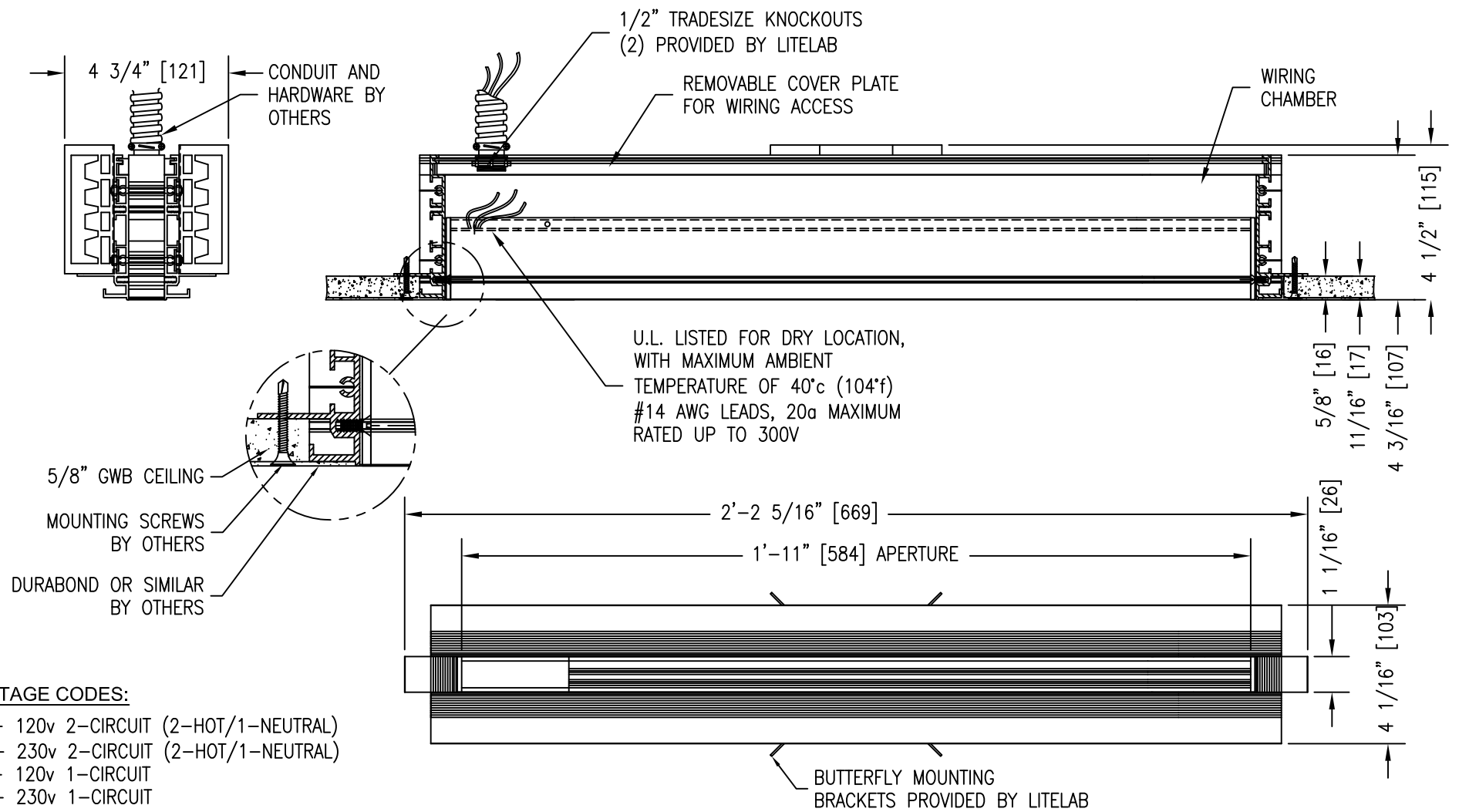


MODEL NUMBER: BP1-08-voltage-23	FIXTURE TYPE: SCALE: 3"=1'-0"	FILE NUMBER: LL\SW\BP\NB\BP1-08-xx-23.dwg	DATE: 8/13/18	NO.	REVISIONS DESCRIPTION	BY	DATE
PROJECT NAME:	APPROX. WEIGHT: 2.5 lb./ 1.13 Kg	DRAWN BY: OEL	CK'D BY:	FIXTURE DESCRIPTION: BUSPOINT - DOUBLE			

SEE BELOW FOR VOLTAGE CODES



VOLTAGE CODES:

- 2A - 120v 2-CIRCUIT (2-HOT/1-NEUTRAL)
- 2D - 230v 2-CIRCUIT (2-HOT/1-NEUTRAL)
- 6A - 120v 1-CIRCUIT
- 6D - 230v 1-CIRCUIT

EXAMPLE: BP1-08-2A-23

