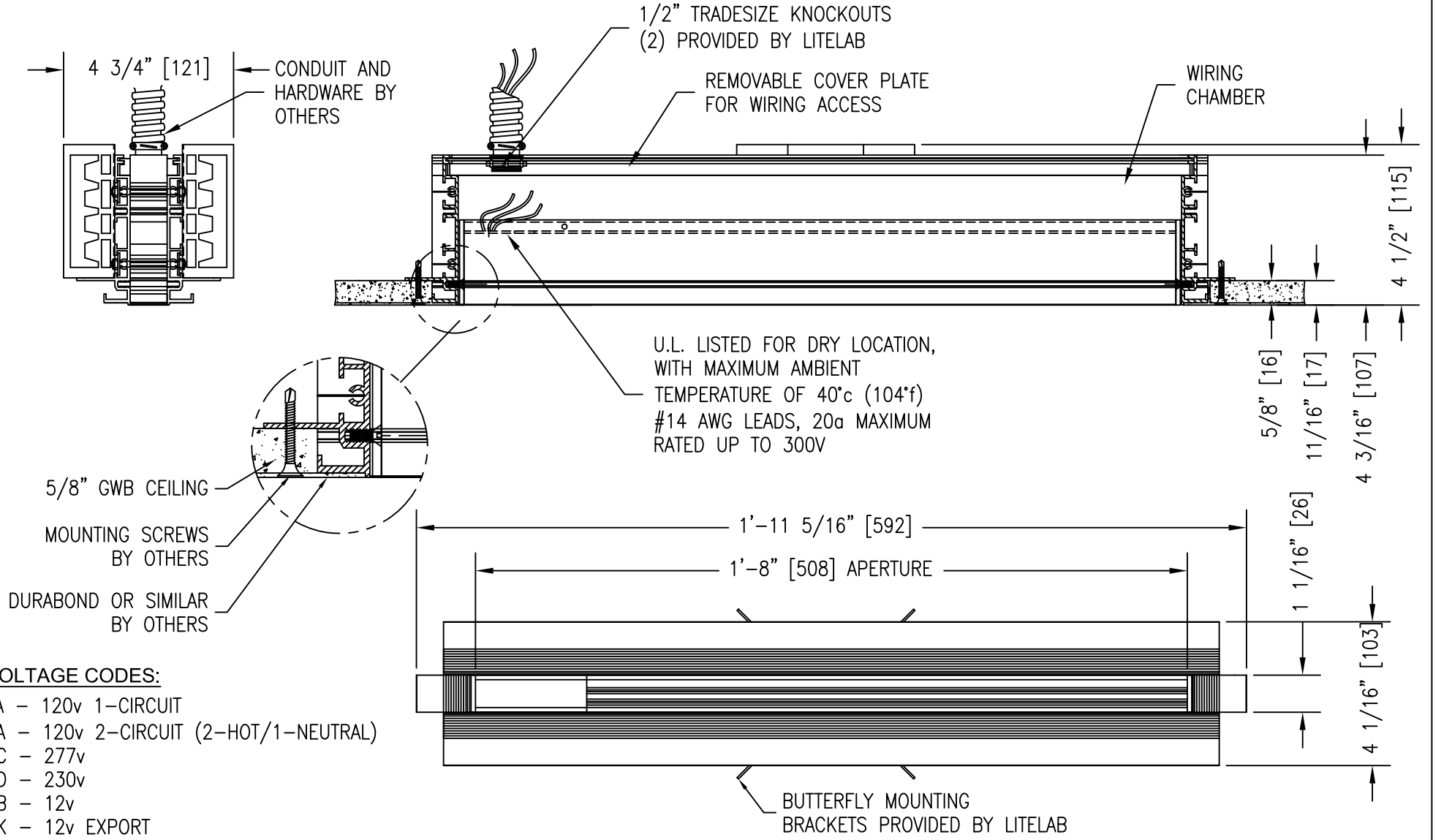


MODEL NUMBER: BP1-08-voltage-20	FIXTURE TYPE: SCALE: 3"=1'-0"	FILE NUMBER: LL\SW\NP\BP\BP1-08-xx-20.dwg	DATE: 1/4/16	NO.	REVISIONS DESCRIPTION	BY	DATE
PROJECT NAME:	APPROX. WEIGHT: 1 lb./ .46 Kg	DRAWN BY: OEL	CK'D BY:	FIXTURE DESCRIPTION: BUSPOINT - DOUBLE			

SEE BELOW FOR VOLTAGE CODES



**VOLTAGE CODES:**

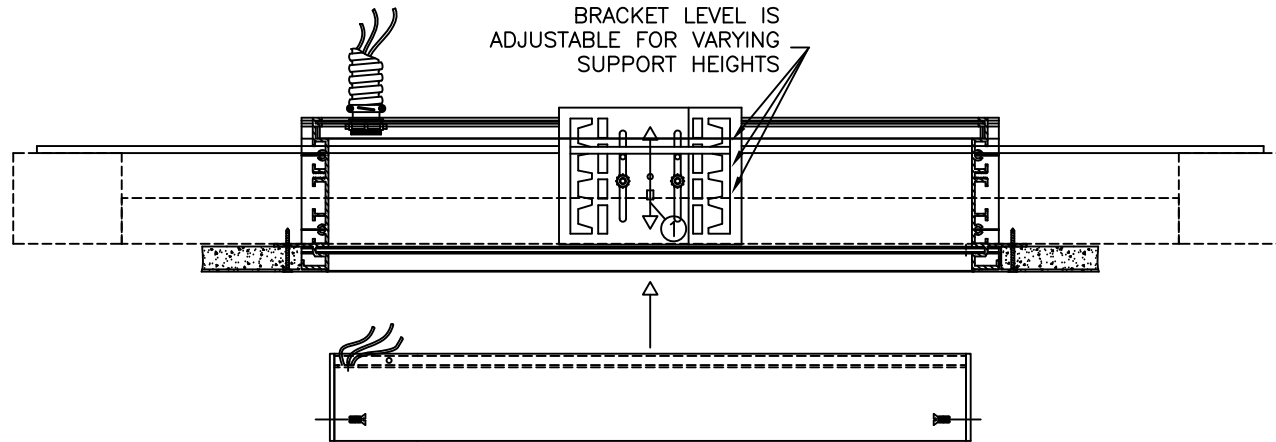
- 1A - 120v 1-CIRCUIT
- 2A - 120v 2-CIRCUIT (2-HOT/1-NEUTRAL)
- 3C - 277v
- 3D - 230v
- 4B - 12v
- 4K - 12v EXPORT

EXAMPLE: BP1-08-1A-20

MODEL NUMBER: BP1-08-xx-20	FIXTURE TYPE: SCALE: NTS	FILE NUMBER: LL\SW\NP\BP\BP1-08-xx-20.dwg	DATE: 1/4/16	NO.	REVISIONS DESCRIPTION	BY	DATE
PROJECT NAME:	APPROX. WEIGHT: 1 lb. / .46Kg	DRAWN BY: OEL	CK'D BY:	FIXTURE DESCRIPTION: BUTTERFLY BRACKET INSTALL FOR BUSPOINT			

**INSTALLATION OF BUTTERFLY BRACKET**  
(Optional mounting method)

**-SIDE VIEW-**



**INSTALLATION NOTES:**

- 1). WHEN USING BUTTERFLY BRACKETS, INSERT SUPPORT RODS INTO BUTTERFLY BRACKETS USING NOTCHES PROVIDED. LOOSEN NUTS AND SLIDE BRACKETS LEVEL TO SUPPORT STRUCTURE AND RE-TIGHTEN.
- 2). BEND BUTTERFLY BRACKETS INWARD TO TIGHTEN TO SUPPORT RODS.
- 3). FASTEN SUPPORT RODS TO SUPPORT STRUCTURE USING APPROPRIATE MOUNTING HARDWARE (PROVIDED BY OTHERS).

FIXTURE IS SHIPPED WITH BUTTERFLY BRACKETS ATTACHED. IN APPLICATIONS WHERE BRACKETS ARE NOT REQUIRED, THEY CAN BE REMOVED.

**-TOP VIEW-**

