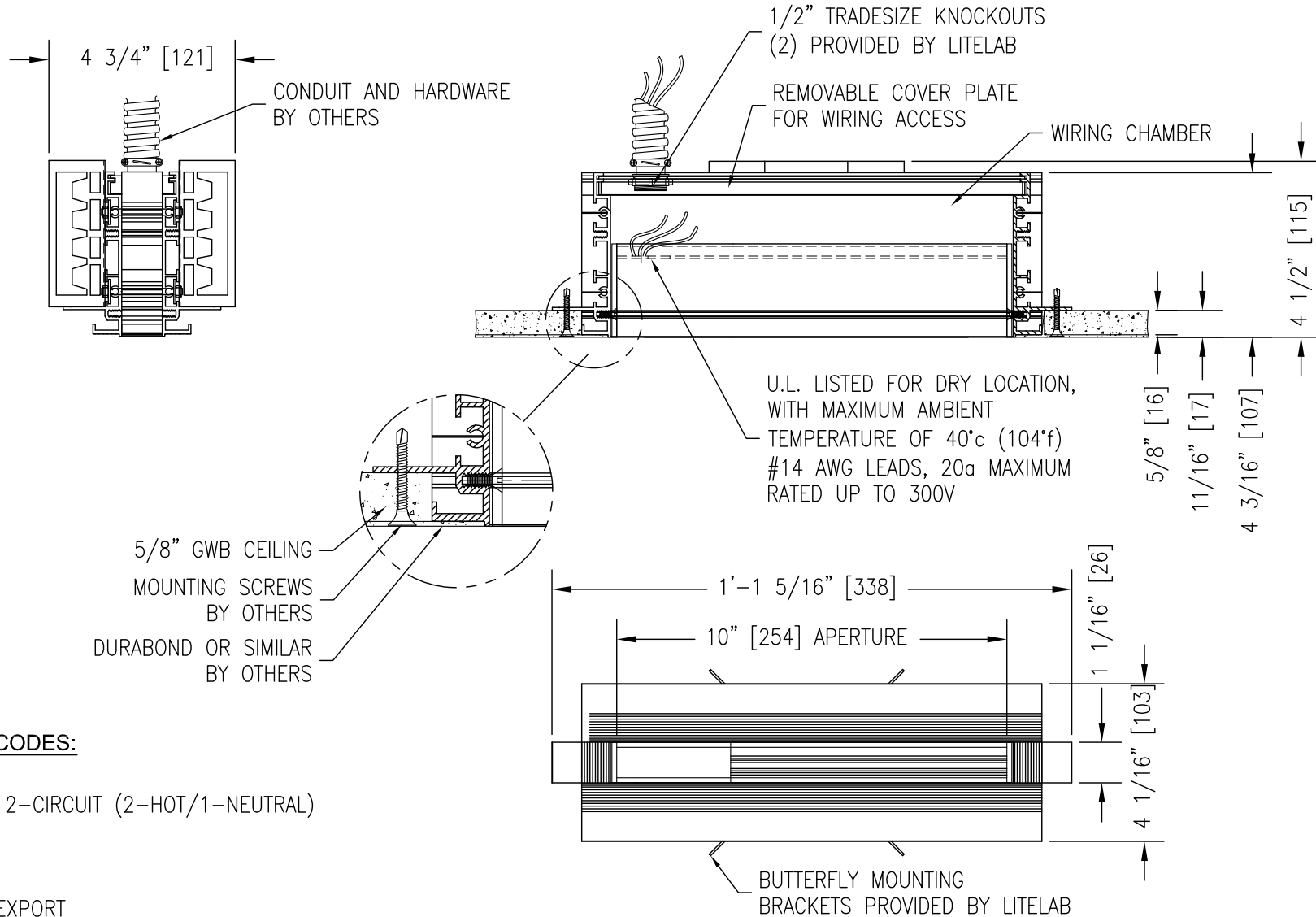


| | | | | | | | | |
|------------------------------------|-------------------------------------|--------------------|--|---|-----|-----------------------|----|------|
| MODEL NUMBER: BP1-08-voltage-10 | FIXTURE TYPE: | SCALE: 3"=1'-0" | FILE NUMBER: LL\SW\NP\BP\BP1-08-xx-20.dwg | DATE: 1/4/16 | NO. | REVISIONS DESCRIPTION | BY | DATE |
| PROJECT NAME: | APPROX. WEIGHT: 0.5 lb./ 0.23 Kg | DRAWN BY: OEL | CK'D BY: | FIXTURE DESCRIPTION: BUSPOINT - SINGLE | | | | |

SEE BELOW FOR VOLTAGE CODES



VOLTAGE CODES:

- 1A - 120v
- 2A - 120v 2-CIRCUIT (2-HOT/1-NEUTRAL)
- 3C - 277v
- 3D - 230v
- 4B - 12v
- 4K - 12v EXPORT

EXAMPLE: BP1-08-1A-10