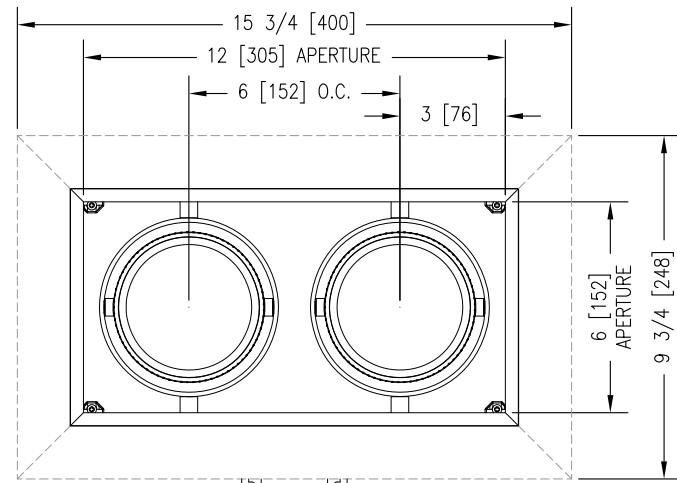
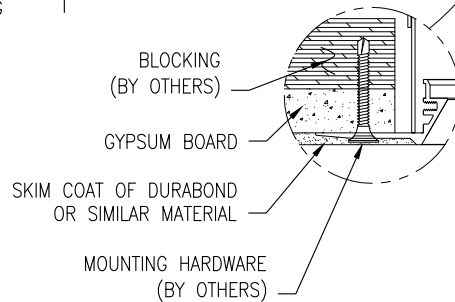
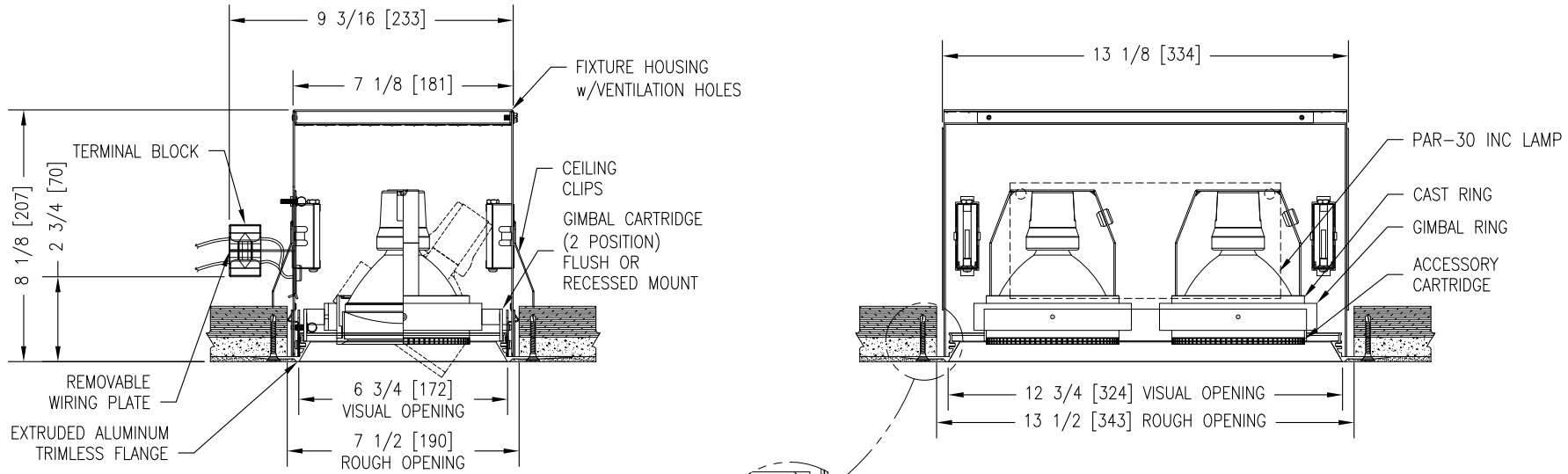


MODEL NUMBER: B-B2-PAR30-Watt-230-TL-MB/Color	FIXTURE TYPE: N/A	SCALE: NTS	FILE NUMBER: SlotFix.\B-Line-SizeB-TL-230.dwg	DATE: 6/20/07	NO.	REVISIONS DESCRIPTION	BY	DATE
PROJECT NAME:	APPROX. WEIGHT: N/A	DRAWN BY: BJG	CK'D BY: SDP	FIXTURE DESCRIPTION: 2 LAMP RECESSED GIMBAL DOWNLIGHT - TRIMLESS				



OPTIONAL BUTTERFLY BRACKETS SHIPPED SEPARATELY

INPUT REQUIREMENTS:

230V (75W-.8A) 50/60Hz

LAMP SPEC: (ORDERED SEPARATELY)

PAR30 75W

ACCESSORIES:

ORDERED SEPARATELY (SIZE P)

FINISHES: (MB/Color)

(HOUSING INTERIOR IS BLACK)
(SPECIFY TRIM-CARTRIDGE ASSEMBLY COLOR)

WHITE (P)

MATTE BLACK (MB)

BEADBLAST (BB)

CUSTOM PAINT (CP)

MAX TILT OF FIXTURE HEAD:
SHORT AXIS IS 35° FROM VERTICAL
LONG AXIS IS 30° FROM VERTICAL

INSTALLATION NOTE:

WHEN WIRING THIS FIXTURE, ALLOW ENOUGH LENGTH OF FLEXIBLE CONDUIT, SUCH THAT THE WIRING COMPARTMENT CAN BE COMPLETELY REMOVED FOR SERVICING THROUGH THE APERTURE OF THE FIXTURE.

INSTALLATION INFORMATION:

DO NOT INSTALL INSULATION WITHIN 3" (76mm) OF ANY PART OF THIS FIXTURE. DO NOT BLOCK VENT HOLES ON FIXTURE. MAXIMUM AMBIENT TEMPERATURE NOT TO EXCEED 35°C.

QTY. (2) TERMINAL BLOCK PROVIDED FOR INPUT POWER (BY OTHERS)