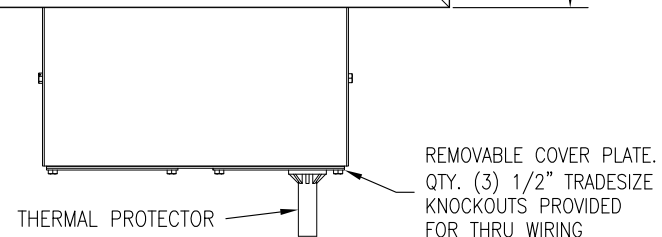
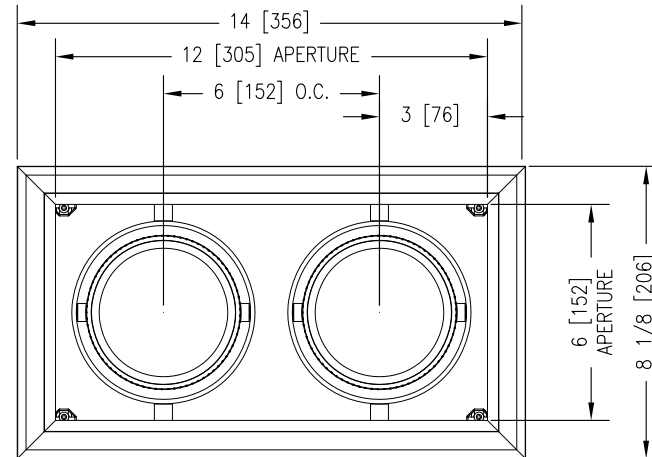
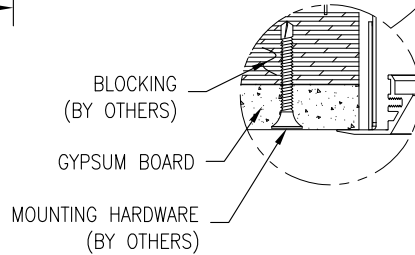
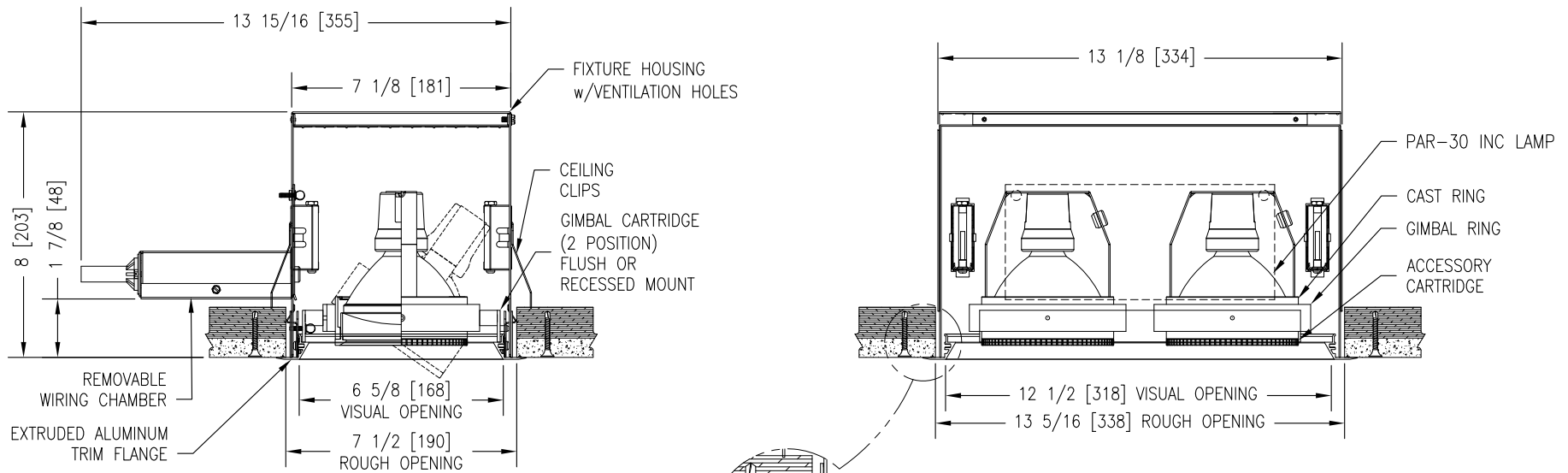


MODEL NUMBER: B-B2-PAR30-Watt-Voltage-TR-MB/Color	FIXTURE TYPE: N/A	SCALE: NTS	FILE NUMBER: SlotFix.\B-Line-SizeB-TR.dwg	DATE: 6/20/07	NO.	REVISIONS DESCRIPTION	BY	DATE
PROJECT NAME:	APPROX. WEIGHT: N/A	DRAWN BY: BJG	CK'D BY: SDP	FIXTURE DESCRIPTION: 2 LAMP RECESSED GIMBAL DOWNLIGHT - TRIMMED				



**INPUT REQUIREMENTS:**

CIRCUIT #1  
(A) 120V/60Hz/(75W-1.4A)

OPTIONAL BUTTERFLY BRACKETS  
SHIPPED SEPARATELY

**MAX TILT OF FIXTURE HEAD:**  
SHORT AXIS IS 45° FROM VERTICAL  
LONG AXIS IS 45° FROM VERTICAL

**INSTALLATION NOTE:**  
WHEN WIRING THIS FIXTURE, ALLOW ENOUGH LENGTH OF FLEXIBLE CONDUIT, SUCH THAT THE WIRING COMPARTMENT CAN BE COMPLETELY REMOVED FOR SERVICING THROUGH THE APERTURE OF THE FIXTURE.

**INSTALLATION INFORMATION:**  
DO NOT INSTALL INSULATION WITHIN 3" (76mm) OF ANY PART OF THIS FIXTURE. DO NOT BLOCK VENT HOLES ON FIXTURE. MAXIMUM AMBIENT TEMPERATURE NOT TO EXCEED 35°C.

**LAMP SPEC:(ORDERED SEPARATELY)**  
PAR30 75W

**ACCESSORIES:**  
ORDERED SEPARATELY (SIZE P)

**FINISHES:(MB/Color)**  
(HOUSING INTERIOR IS BLACK)  
(SPECIFY TRIM-CARTRIDGE ASSEMBLY COLOR)  
WHITE (P)  
MATTE BLACK (MB)  
BEADBLAST (BB)  
CUSTOM PAINT (CP)