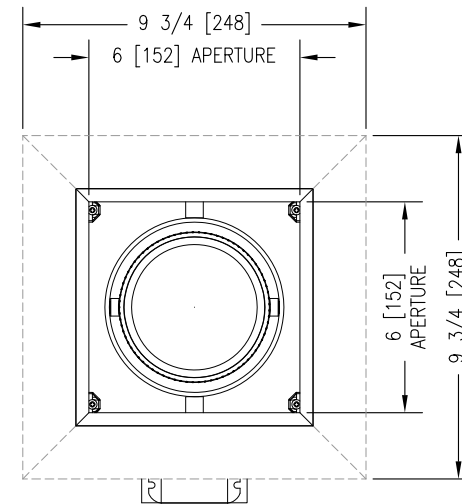
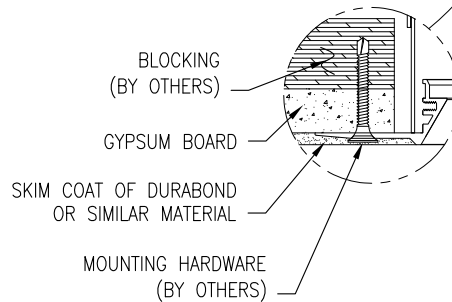
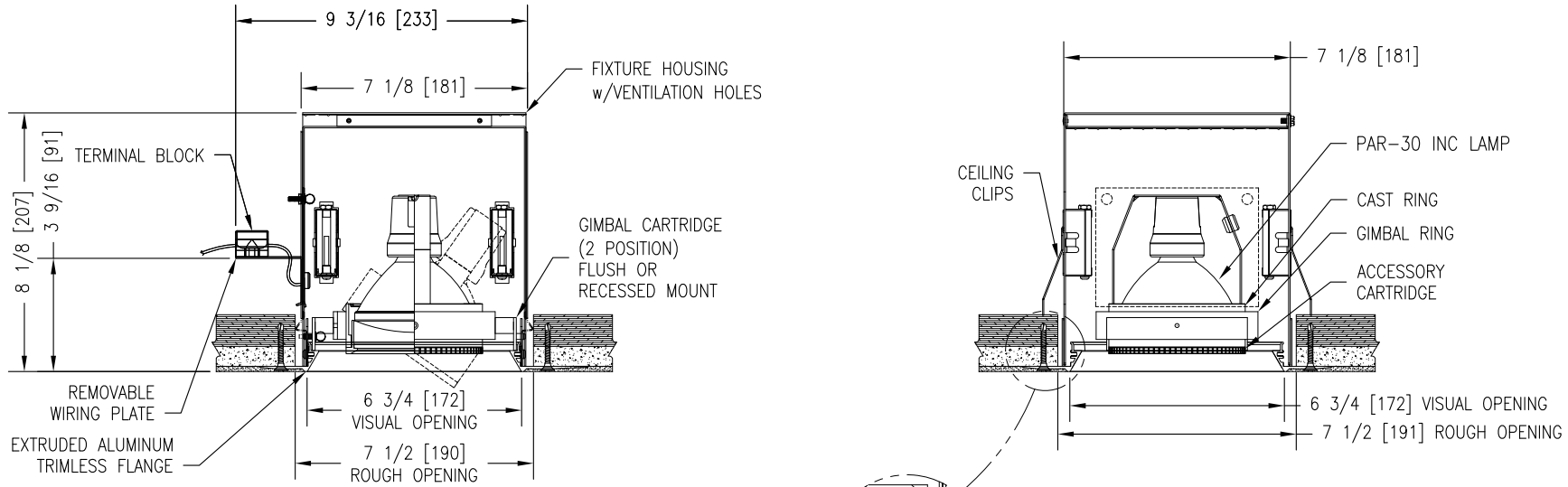


MODEL NUMBER: B-B1-PAR30-Watt-230-TL-MB/Color	FIXTURE TYPE: N/A	SCALE: NTS	FILE NUMBER: SlotFix.\B-Line-SizeB-TL-230.dwg	DATE: 6/20/07	NO.	REVISIONS DESCRIPTION	BY	DATE
PROJECT NAME:	APPROX. WEIGHT: N/A	DRAWN BY: BJG	CK'D BY: SDP	FIXTURE DESCRIPTION: 1 LAMP RECESSED GIMBAL DOWNLIGHT - TRIMLESS				



OPTIONAL BUTTERFLY BRACKETS  
SHIPPED SEPARATELY

MAX TILT OF FIXTURE HEAD:  
SHORT AXIS IS 35° FROM VERTICAL  
LONG AXIS IS 30° FROM VERTICAL

INSTALLATION NOTE:  
WHEN WIRING THIS FIXTURE, ALLOW ENOUGH LENGTH OF FLEXIBLE CONDUIT, SUCH THAT THE WIRING COMPARTMENT CAN BE COMPLETELY REMOVED FOR SERVICING THROUGH THE APERTURE OF THE FIXTURE.

INSTALLATION INFORMATION:  
DO NOT INSTALL INSULATION WITHIN 3" (76mm) OF ANY PART OF THIS FIXTURE. DO NOT BLOCK VENT HOLES ON FIXTURE. MAXIMUM AMBIENT TEMPERATURE NOT TO EXCEED 35°C.

INPUT REQUIREMENTS:  
230V (75W-.4A) 50/60Hz

LAMP SPEC: (ORDERED SEPARATELY)  
PAR30 75W

ACCESSORIES:  
ORDERED SEPARATELY (SIZE P)

FINISHES: (MB/Color)  
(HOUSING INTERIOR IS BLACK)  
(SPECIFY TRIM-CARTRIDGE ASSEMBLY COLOR)

WHITE (P)  
MATTE BLACK (MB)  
BEADBLAST (BB)  
CUSTOM PAINT (CP)

QTY. (1) TERMINAL BLOCK  
PROVIDED FOR INPUT POWER  
(BY OTHERS)