

LED Object

A77



For use in H09 and H10 ALS systems.

Specify:

A77 - [] - [] - [] - [] - [] - [] - []

FIXTURE MODEL LUMENS ADAPTER VOLTAGE CRI CCT FINISH OPTIC

Example:

A77 L1800 BT A 92 30 MB 10

This Litelab fixture features a field interchangeable fixed optics at 10, 20 and 32 degrees . The ultra-high-efficiency LED allows maximum light output from a small fixture. The CREE CXB engine is available in an architectural range of color temperatures and produces high CRI and R9 values.

LUMEN	OPTIONS	CRI /CCT	COLOR TEMP OPTIONS	INPUT REQUIREMENTS
L1800	1800 Lumens	92 27	92 CRI/2700K	120VAC/0.19A/23W
	1800 Lumens	92 30	92 CRI/3000K	120VAC/0.19A/23W
	1800 Lumens	92 35	92 CRI/3500K	120VAC/0.19A/23W
L1300	1300 Lumens	92 27	92 CRI/2700K	120VAC/0.12A/15W
	1300 Lumens	92 30	92 CRI/3000K	120VAC/0.12A/15W
	1300 Lumens	92 35	92 CRI/3500K	120VAC/0.12A/15W
L1000	1000 Lumens	92 27	92 CRI/2700K	120VAC/0.09A/12W
	1000 Lumens	92 30	92 CRI/3000K	120VAC/0.09A/12W
	1000 Lumens	92 35	92 CRI/3500K	120VAC/0.09A/12W

Features & Benefits

Fixture Description

Single piece die-cast aluminum fixture body allows for high efficiency passive cooling. Deep regressed LED and optic designed for maximum glare control. Interchangeable 10, 20 and 32 degree optics.

Accessory Cartridge

Holds up to two accessories—including a range of lenses, filters and louvers.

Lenses & Accessories**

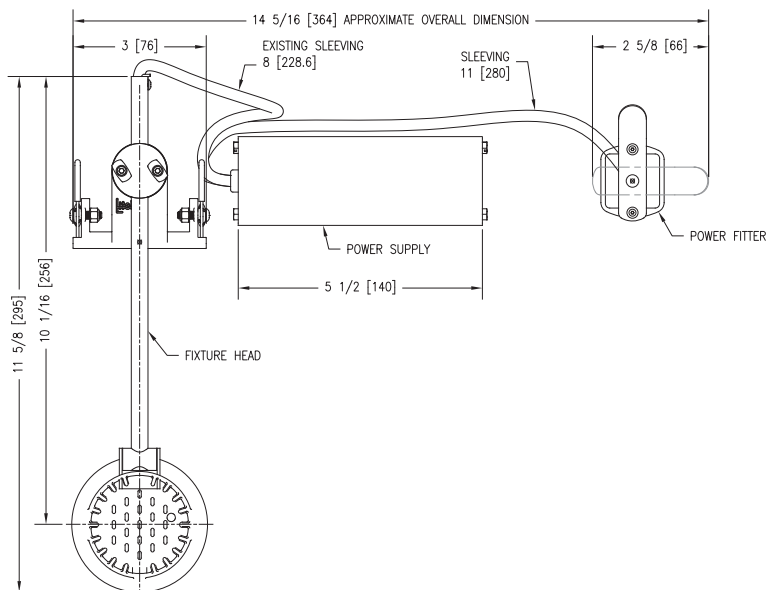
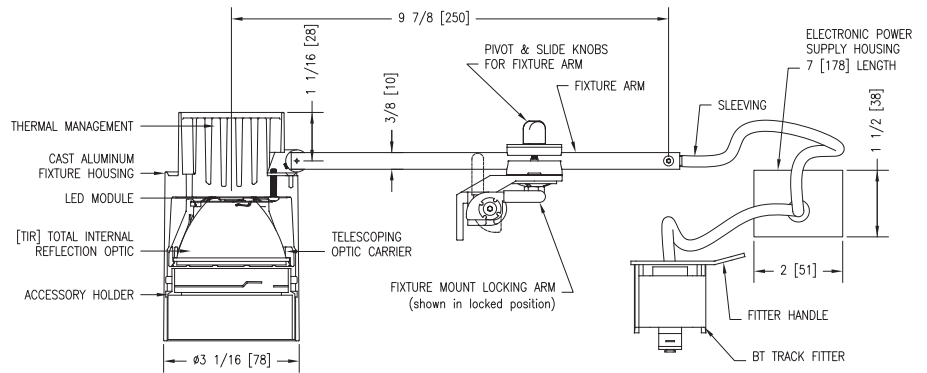
Standard clear lenses are available in 55° x 75°, 5° x 30° and 5° x 55° optical patterns. Beam softener len is also available. Accessory code shall be "g."

Finishes

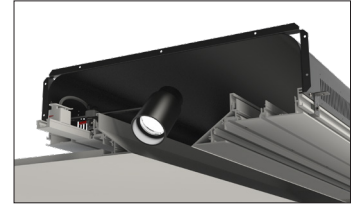
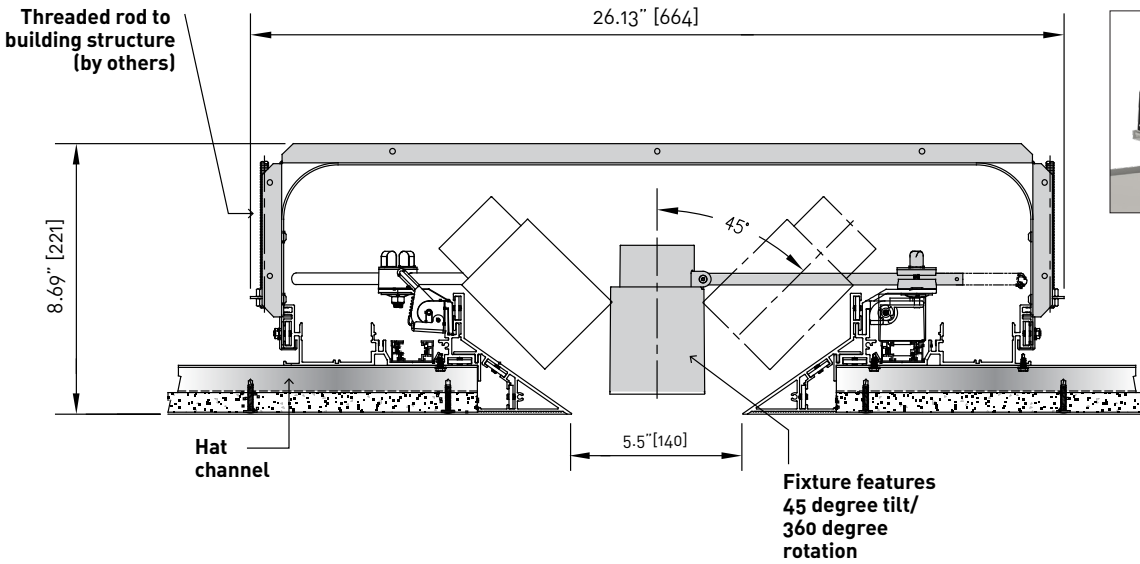
Available in white, black and custom finish.

Dimming

This fixture is provided with an LED Driver suitable for trailing edge dimming. Dimming performance may vary based on dimmer model or system being used. If exact performance is required, Litelab recommends testing the Litelab fixture and specified dimmer.

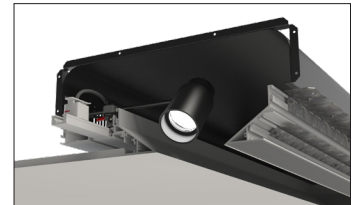
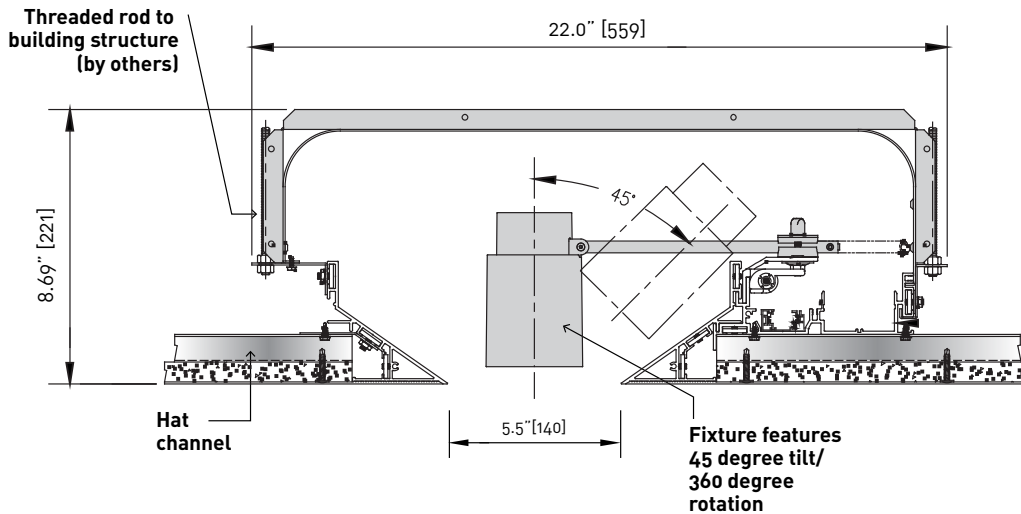


A77 Fixture shown in H09 Housing



A77 fixture shown in H09 housing.

A77 Fixture shown in H10 Housing



A77 fixture shown in H10 housing.

ACCESSORIES

Spread Lenses

Linear Spread

- OL- 5° x 30°-g
- OL- 5° x 55°-g

Universal Spread

- OL- 55° x 75°-g

Beam Softener

- OL-SF-g
- OL-L10P1-g polycarbonate film

Screens

Light Block Screen

- B-15N/g

Photo-etched, 15% light-blocking screen. Accepts up to 5 for 30%, 45%, 60% or 75% (maximum)

Louvers

- LVH/g

Reflectors

- [10] 10° OL-NB-70MM
- [20] 20° OL-MB-70MM
- [30] 30° OL-WB-70MM

FINISHES

Consult with Litelab for other finishes

- P** White
- MB** Black
- CP** Custom Finish

