

# ALS Collection

Job Name:

Fixture Type:

## LED 10° to 30° Zoom

### A75



For use in H09 and H10 ALS systems.

#### Specify:

A75  -  -  -  -  -

**FIXTURE MODEL** **LUMENS** **ADAPTER** **VOLTAGE** **CRI** **CCT** **FINISH**

#### Example:

A75  L1800  BT  A  92  30  MB

This Litelab fixture features a proprietary 10 to 30 degree optic for precision variable focus. The ultra-high-efficiency LED allows maximum light output from a small fixture. The CREE CXB engine is available in an architectural range of color temperatures and produces high CRI and R9 values.

LUMEN	OPTIONS	CRI /CCT	COLOR TEMP OPTIONS	INPUT REQUIREMENTS
<b>L1800</b>	1800 Lumens	92   27	92 CRI/2700K	120VAC/0.19A/23W
	1800 Lumens	92   30	92 CRI/3000K	120VAC/0.19A/23W
	1800 Lumens	92   35	92 CRI/3500K	120VAC/0.19A/23W
<b>L1300</b>	1300 Lumens	92   27	92 CRI/2700K	120VAC/0.12A/15W
	1300 Lumens	92   30	92 CRI/3000K	120VAC/0.12A/15W
	1300 Lumens	92   35	92 CRI/3500K	120VAC/0.12A/15W
<b>L1000</b>	1000 Lumens	92   27	92 CRI/2700K	120VAC/0.09A/12W
	1000 Lumens	92   30	92 CRI/3000K	120VAC/0.09A/12W
	1000 Lumens	92   35	92 CRI/3500K	120VAC/0.09A/12W

## Features & Benefits

### Fixture Description

Single piece die-cast aluminum fixture body allows for high efficiency passive cooling. Deep regressed LED and optic designed for maximum glare control. Telescoping accessory holder allows for precision tool-less variable 10° to 30° focus.

### Accessory Cartridge

Holds up to two accessories—including a range of lenses, filters and louvers.

### Lenses & Accessories\*\*

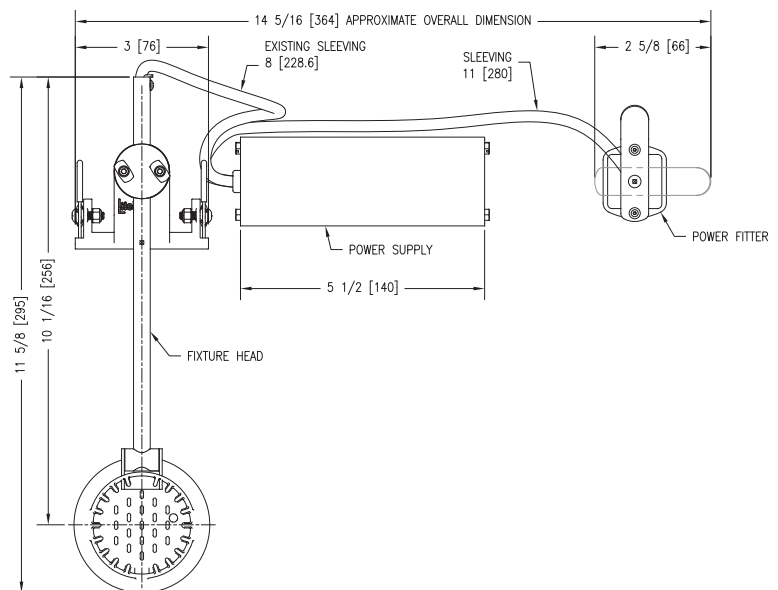
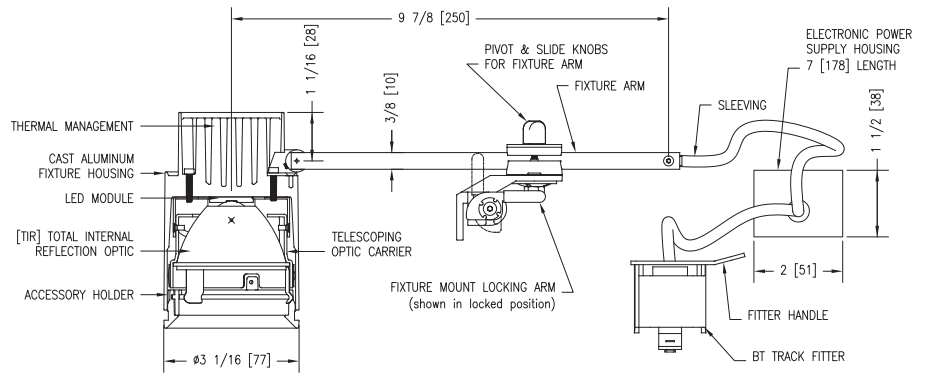
Standard clear lenses are available in 55° x 75°, 5° x 30° and 5° x 55° optical patterns. Photo etched light blocking screens and beam softener lens are also available. Accessory code shall be "g."

### Finishes

Available in white, black and custom finish.

### Dimming

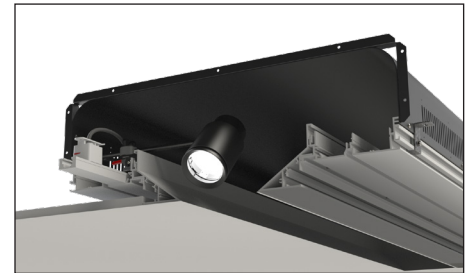
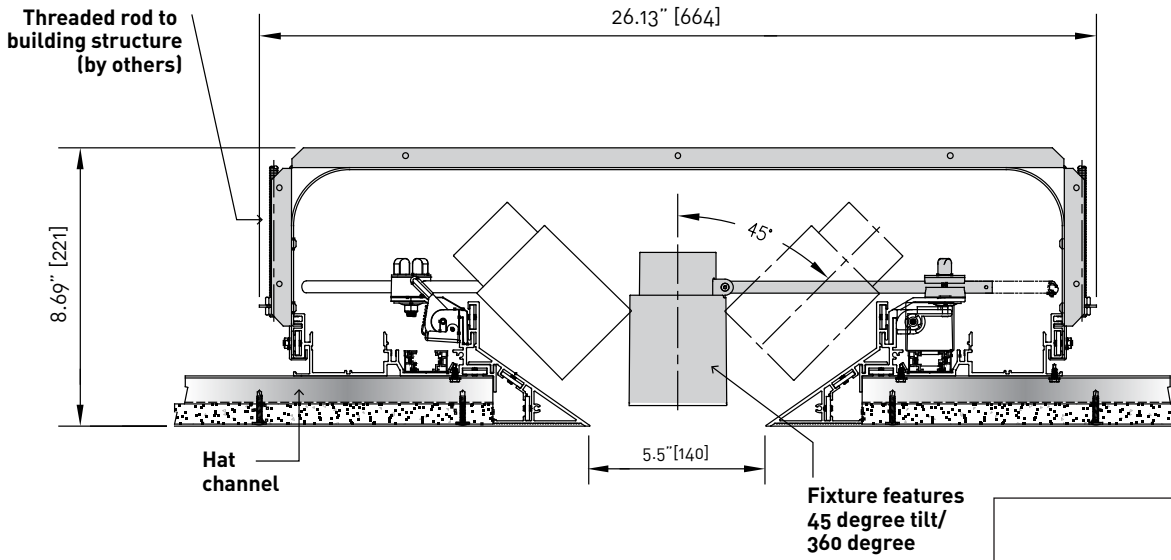
This fixture is provided with an LED Driver suitable for trailing edge dimming. Dimming performance may vary based on dimmer model or system being used. If exact performance is required, Litelab recommends testing the Litelab fixture and specified dimmer.



251 Elm Street Buffalo, NY 14203 USA  
800-238-4120 • www.litelab.com © 08/18

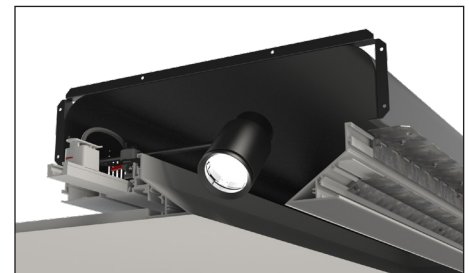
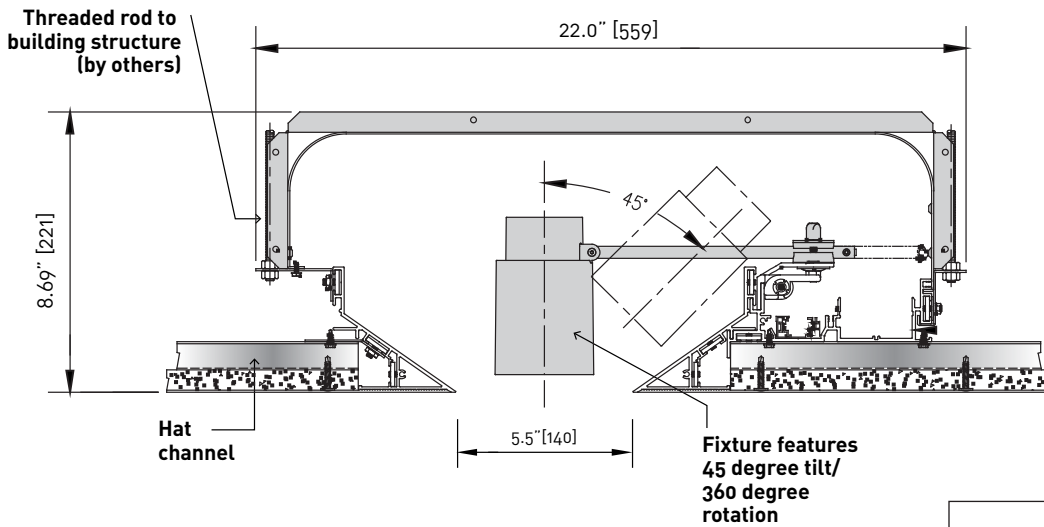
\*Covered under one or more of the following patents: US: 8,740,421 B2, D499, 698, D389,012, Republic of China: D149,379, People's Republic of China: ZL 201130358013.3, European Union: RCD #001920356-0001. Additional patents pending. \*\*See fittings and accessories page for mounting options and accessories.

A75 Fixture shown in H09 Housing



A75 fixture shown in H09 housing.

A75 Fixture shown in H10 Housing



A75 fixture shown in H10 housing.

# Input Fittings & Accessories

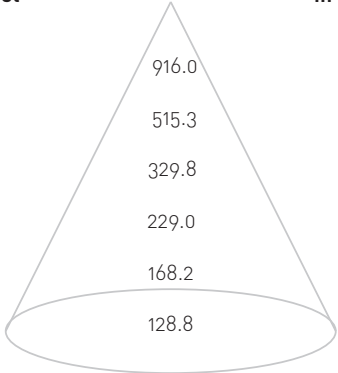
A75

Job Name:

Fixture Type:

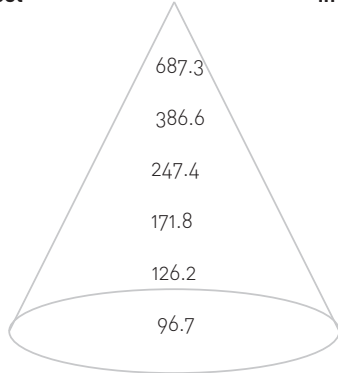
## A75L1800 10° Setting

Mounting Height in feet	FC	Diameter in feet
6.0	916.0	1.1
8.0	515.3	1.5
10.0	329.8	1.8
12.0	229.0	2.2
14.0	168.2	2.6
16.0	128.8	2.9



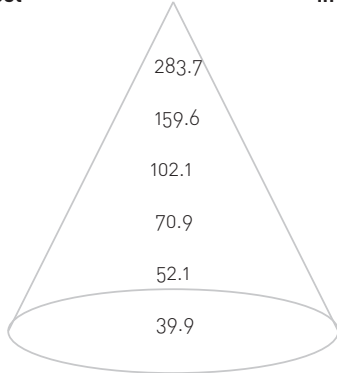
## A75L1800 20° Setting

Mounting Height in feet	FC	Diameter in feet
6.0	687.3	1.2
8.0	386.6	1.6
10.0	247.4	2.0
12.0	171.8	2.4
14.0	126.2	2.8
16.0	96.7	3.3



## A75L1800 30° Setting

Mounting Height in feet	FC	Diameter in feet
6.0	283.7	1.4
8.0	159.6	1.9
10.0	102.1	2.3
12.0	70.9	2.8
14.0	52.1	3.3
16.0	39.9	3.8



## ACCESSORIES

### Spread Lenses

#### Linear Spread

- OL- 5° x 30°-g
- OL- 5° x 55°-g

#### Universal Spread

- OL- 55° x 75°-g

#### Beam Softener

- OL-SF-g
- OL-L10P1-g polycarbonate film

#### Screens

#### Light Block Screen

- B-15N/g

Photo-etched, 15% light-blocking screen. Accepts up to 5 for 30%, 45%, 60% or 75% (maximum)

### Louvers

- LVH/g

### Reflectors

10° to 30° Adjustable Beam Spread

## FINISHES

Consult with Litelab for other finishes

- P** White
- MB** Black
- CP** Custom Finish

