

A66



A66L1300-9HS*

job name: fixture type:

Spec: **A66** **L1300** - **9HS** - - - **90** **30** -

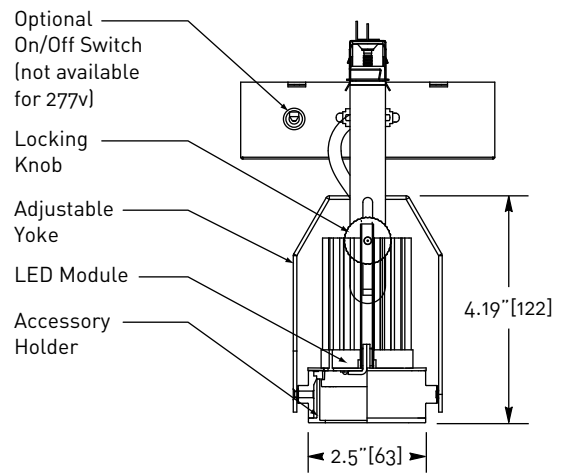
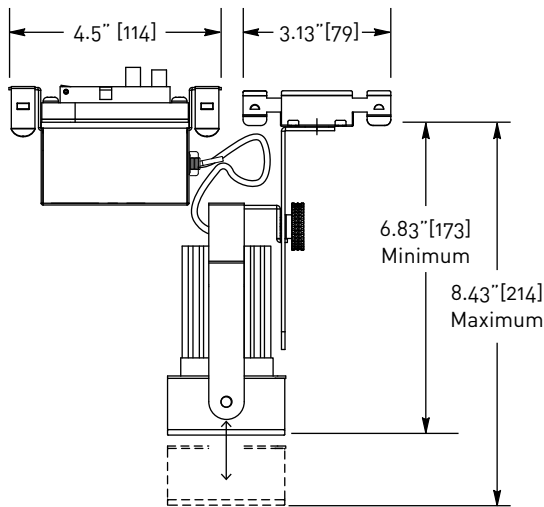
MODEL	LUMENS	ADAPTER	OPTIONS	VOLTAGE	CRI	CCT	FINISH	LENS
Ex: A66	L1300	9HS	<input type="text"/>	A	90	30	MB	20

The A66 fixture is designed for use in the ALS H01 and ALS H02 Adjustable Light Slot. The compact design features a 1300 lumen LED and is available with three different beam spreads.

Lumen Options		CRI Options		Color Temp (CCT)		Adapter	
L1300	1300 lumens	90	90 CRI	30	3000°K	9HS	
Voltage Options		Switch Options		Finish Options		Beam Spreads	
A	120V	SY	On/Off Switch	(Heatsink is black on all options.)		20	(20°)
D	230V			MB	Black	26	(26°)
C	277V			P	White	32	(32°)
				CP	Custom Paint		

Features & Benefits

A66L1300-9HS shown



Fixture Description

Open-air heat sink allows for high efficiency passive cooling.

Lenses & Accessories**

Standard clear lenses, louvers, snoots and photo etched light blocking screens are available.

Accessory Size Code: a

Accessory Holder

Holds up to two accessories.

Finishes

Available in black, white, or custom finish.

Note: Dimming

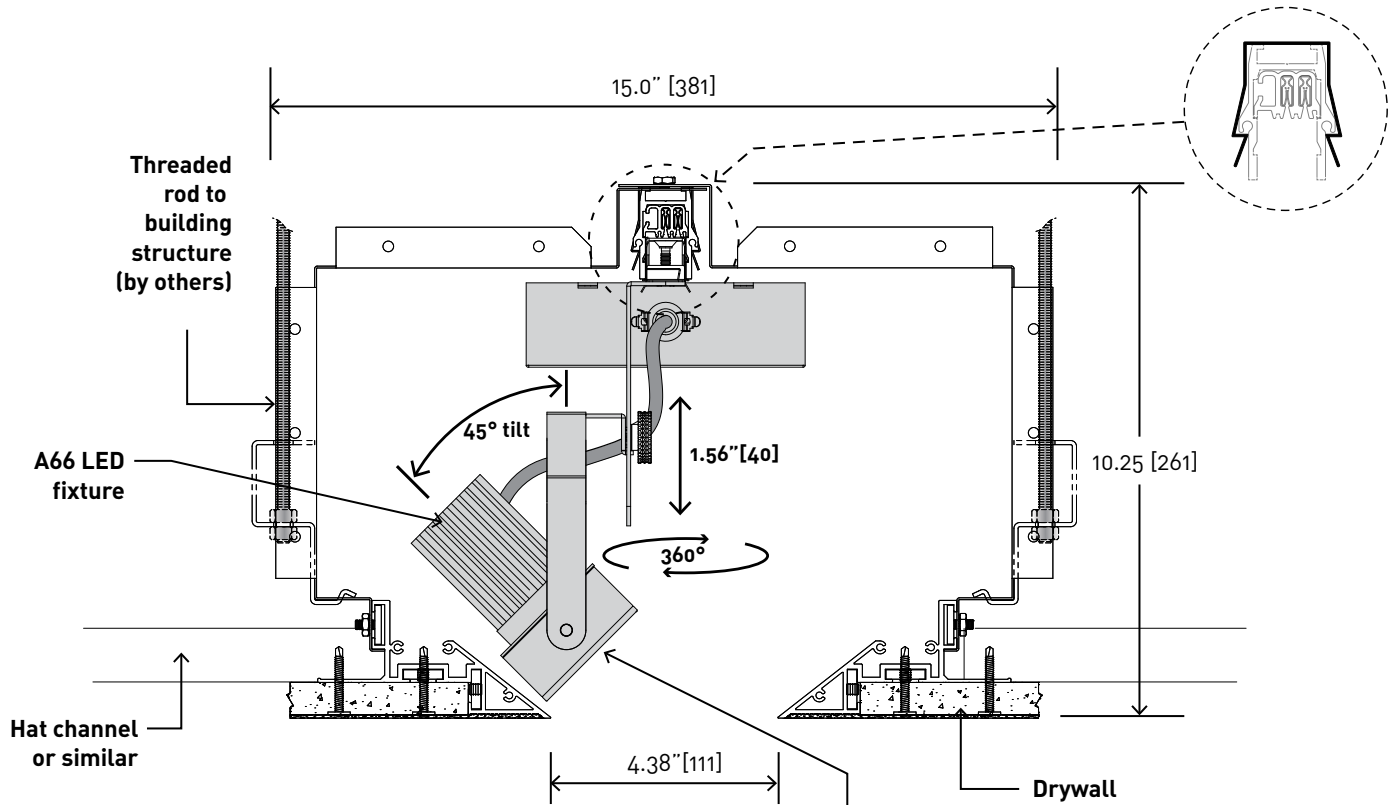
Provided with a driver suitable for leading edge dimming (120V, 230V). Consult factory for 277V versions.



*Covered under one or more of the following patents: US: D499, 698, D389,012, Republic of China: D149,379, People's Republic of China: ZL 201130358013.3. Additional patents pending.
 **See fittings and accessories page for mounting options and accessories.



Section View of A66 shown in ALS H02



Consult Litelab.com for specification sheets for ALS H01 and ALS H02 slots.

Fixture is adjustable vertically up to 1.56" [40], can pivot 360° and tilt up to 45° for maximum aiming flexibility.

Accessories

Spread Lenses	Louvers & Screens	Snoots
Linear Spread OL- 5° x 30°-a OL- 5° x 55°-a	Hexcell Louver LVH/a	Straight SNOOT-S-a-06 SNOOT-T-a-04
Universal Spread OL- 55° x 75°-a	Light Block Screen B-15N/a	Wallwash SNOOT-SW-a
Beam Softener OL-SF-a	Photo-etched, 15% light-blocking screen.	

Input Requirements

1300 lumens	120VAC/50-60Hz:	24w/0.2A
	230VAC/50-60Hz:	25.3w/0.11A