

MODEL NUMBER: A60PAR30	FIXTURE TYPE:	SCALE: 1:2	FILE NUMBER: C:\Litelab\SolidWorks\Product\ALS\ALS FIXTURES\Submittals\A60PAR30 (sub)	DATE: 12/29/08	No.	REVISION	BY	DATE
PROJECT NAME:	APPROX WEIGHT: 1.3 lbs / .59 kg	DRAWN BY: KMR	CHECKED BY: BJG	DESCRIPTION: PAR-30 HALOGEN ALS SLOT FIXTURE	000	Production Release	BJG	01.12.09

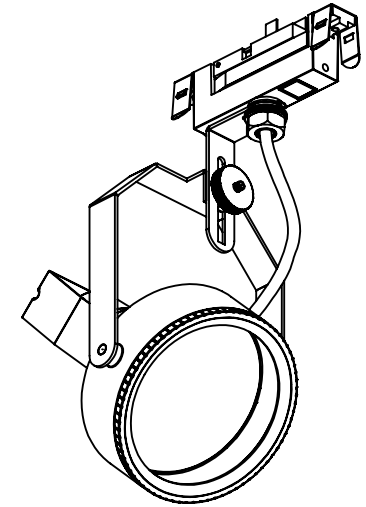
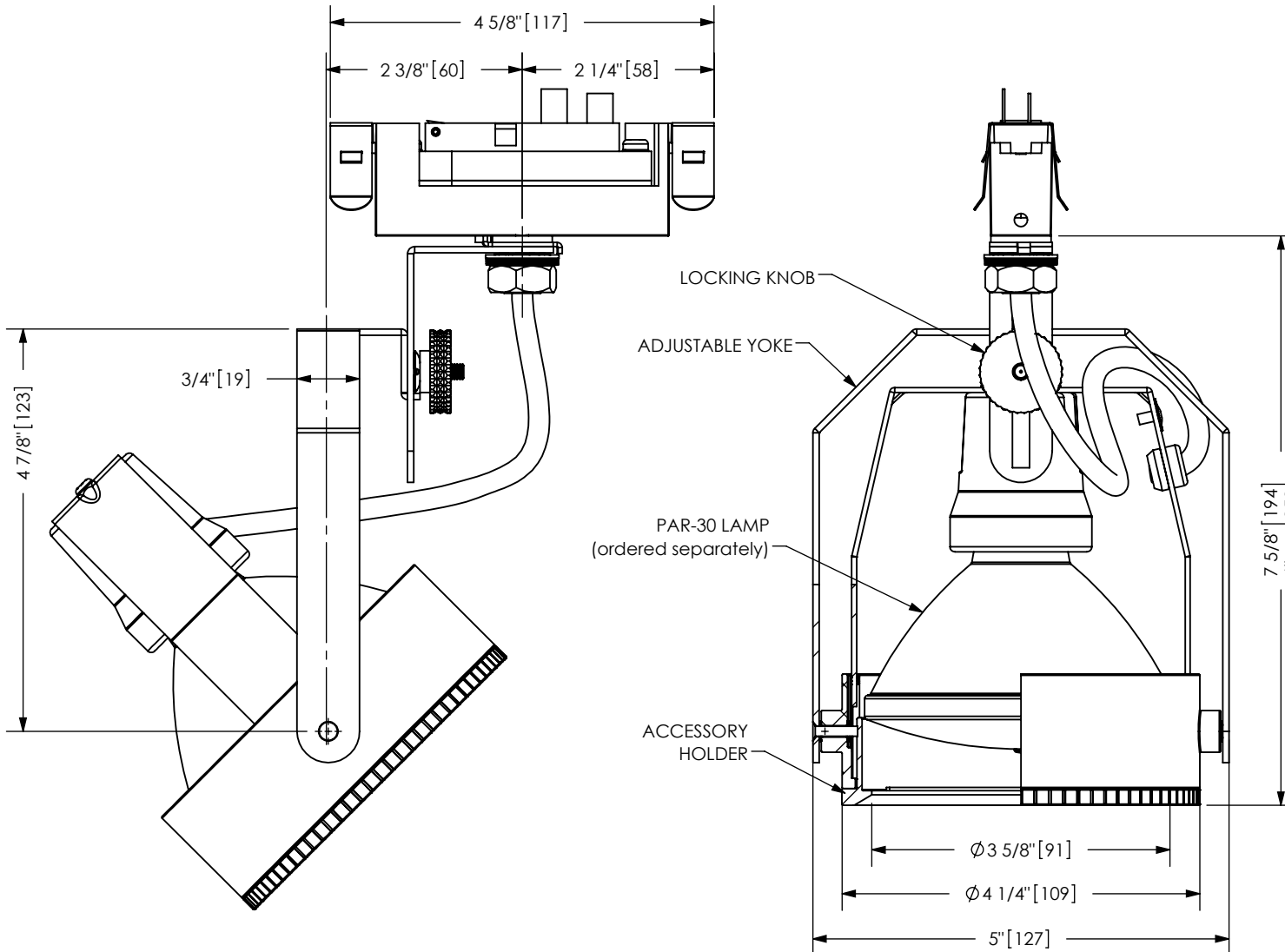
FITTINGS:
INTEGRAL TRANSFORMER
-SHALLOW BUSRUN

BUS FITTER OPTS:
NONE

LAMP:
PAR30 HALOGEN
120V / 75 Watt MAX
240V / 75 Watt MAX
(short neck only)

FINISHES:
MB: BLACK
P: WHITE
ST: SILVER TONE
CP: CUSTOM PAINT

VOLTAGES:
120
240



ACCESSORIES

SIZE CODE: "p"

(Holds up to three, ordered separately)

LENSES

- OL-5x55-p SPREAD LENS
- OL-55x75-p SPREAD LENS
- OL-FLAT-p-UV UV FILTER
- OL-SF-p BEAM SOFTENER

LOUVERS AND BAFFLES:

- LVH/p HEXCEL LOUVER
- LVR/p CUBE-CELL LOUVER
- CHB/p CROSS-HAIR BAFFLE

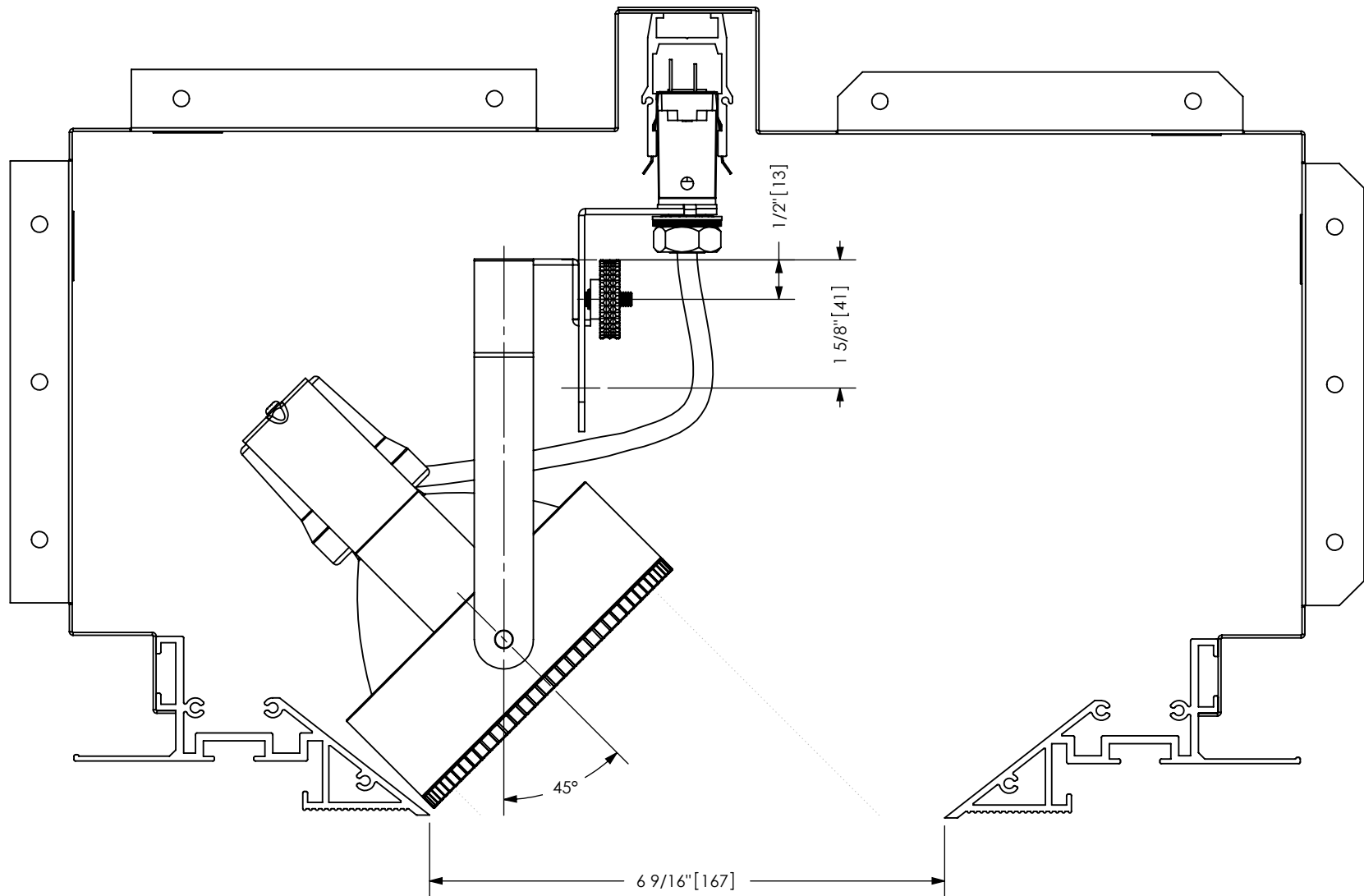
SNOOT:

- SNOOT-S/p STRAIGHT
- SNOOT-S/p-WW WALL-WASH

- B-15/p 15% LIGHT BLOCKING SCREEN

See Accessories page for details

MODEL NUMBER: A60PAR30	FIXTURE TYPE:	SCALE: 1:2	FILE NUMBER: C:\Litelab\SolidWorks\Product\ALS\ALS FIXTURES\Submittals\A60PAR30 (sub)	DATE: 12/29/08	No.	REVISION	BY	DATE
PROJECT NAME:	APPROX WEIGHT: 1.3 lbs / .59 kg lbs	DRAWN BY: KMR	CHECKED BY: BJG	DESCRIPTION: PAR-30 HALOGEN ALS SLOT FIXTURE	000	Production Release	BJG	01.12.09



MAX TILT OF FIXTURE HEAD:
SHORT AXIS IS 50° FROM VERTICAL