

MODEL NUMBER: A58AR111	FIXTURE TYPE:	SCALE: 4:1	FILE NUMBER: C:\Litelab\SolidWorks\Product\ALS\ALS FIXTURES\Submittals\A58AR111 (sub)	DATE: 12/29/08	No.	REVISION	BY	DATE
PROJECT NAME:	APPROX WEIGHT: 1.26 lbs / .57 kg	DRAWN BY: KMR	CHECKED BY: BJG	DESCRIPTION: AR111 HALOGEN ALS SLOT FIXTURE	000	Production Release	BJG	01.12.09

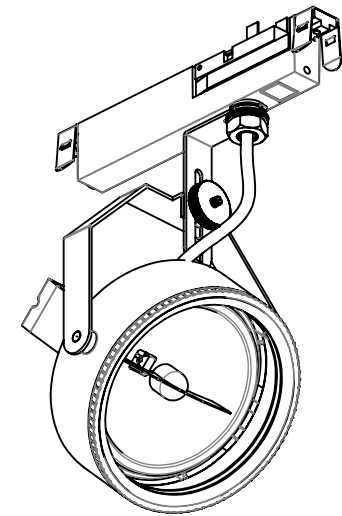
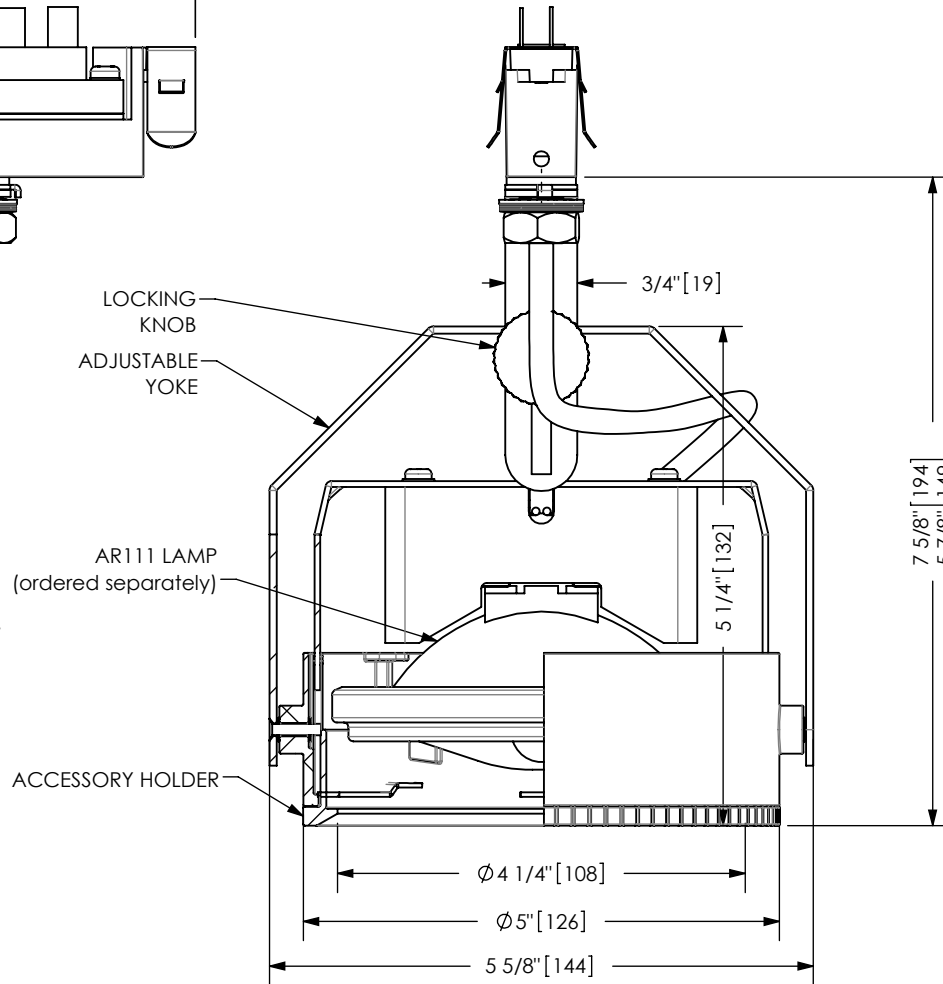
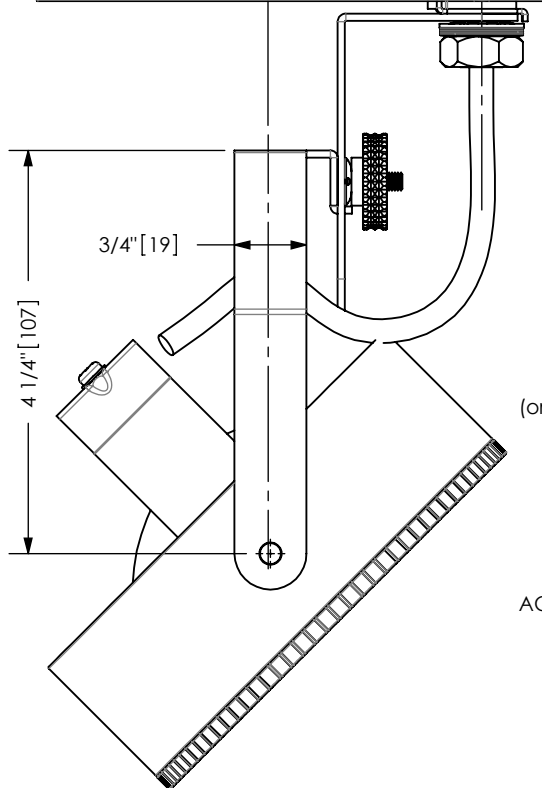
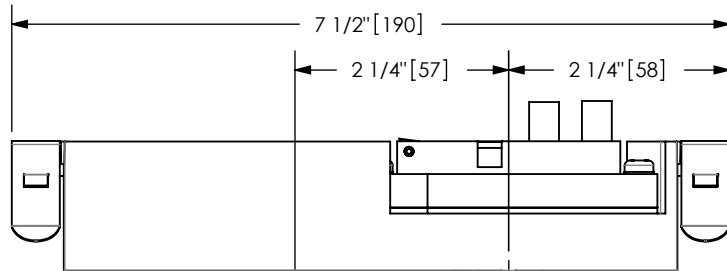
FITTINGS:
INTEGRAL TRANSFORMER
-SHALLOW BUSRUN

BUS FITTER OPTS:
NONE

LAMP:
AR111 12v
75 Watt MAX

FINISHES:
MB: BLACK
P: WHITE
ST: SILVER TONE
CP: CUSTOM PAINT

VOLTAGES:
120
240



ACCESSORIES

SIZE CODE: "s"

(Holds up to three, ordered separately)

LENSES

- | | |
|--------------|---------------|
| OL-5x55-s | SPREAD LENS |
| OL-5x55-s-FR | FROSTED LENS |
| OL-FLAT-s | CLEAR PYREX |
| OL-FLAT-s-UV | UV FILTER |
| OL-SF-s | BEAM SOFTENER |

LOUVERS AND BAFFLES:

- | | |
|-------|-------------------|
| LVH/s | HEXCEL LOUVER |
| LVR/s | CUBE-CELL LOUVER |
| CHB/s | CROSS-HAIR BAFFLE |

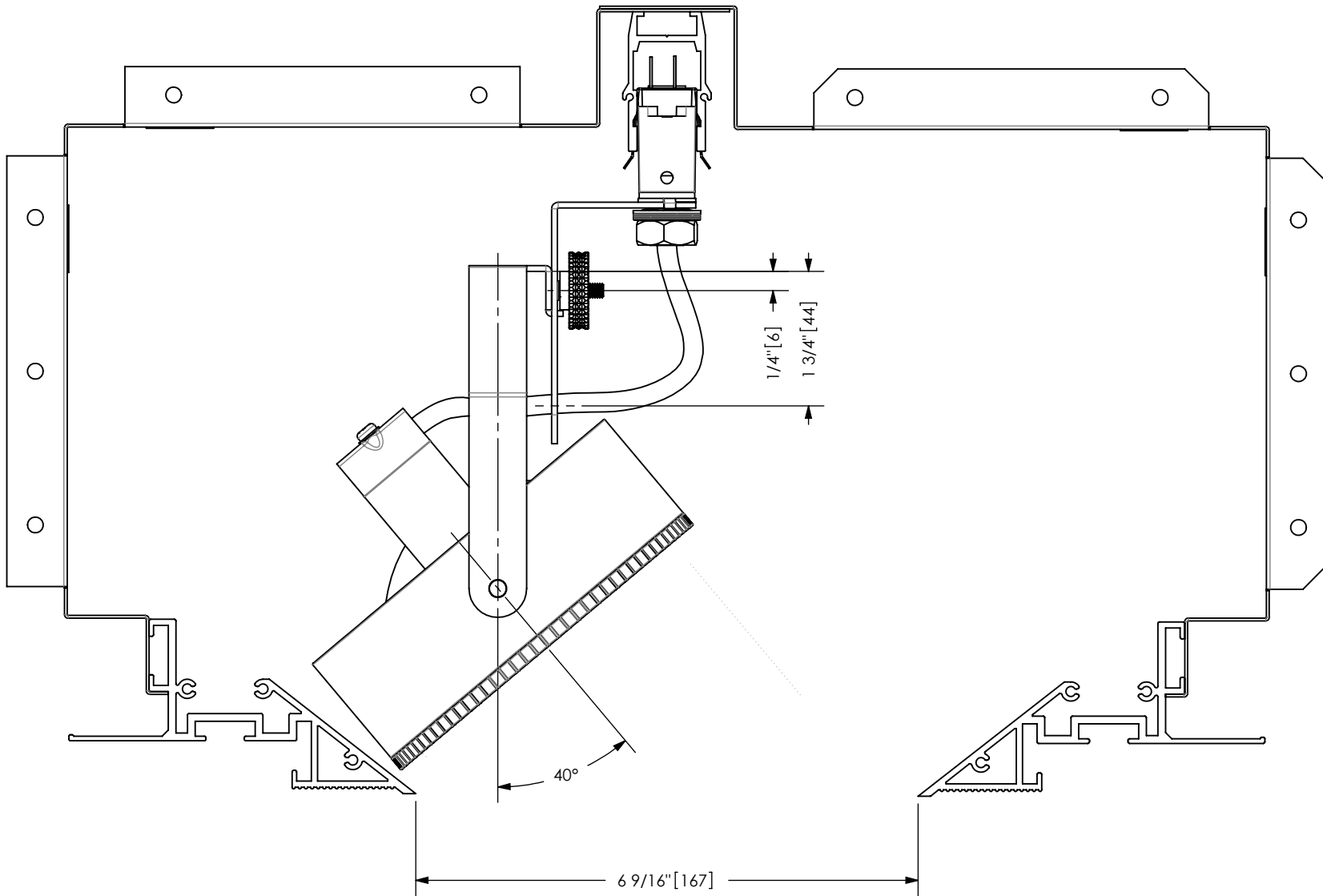
SNOOT:

- | | |
|--------------|-----------|
| SNOOT-S/s | STRAIGHT |
| SNOOT-S/s-WW | WALL-WASH |

- | | |
|--------|---------------------------|
| B-15/s | 15% LIGHT BLOCKING SCREEN |
| BDL/s | BARNDOOR |

See Accessories page for details

MODEL NUMBER: A58AR111	FIXTURE TYPE:	SCALE: 4:1	FILE NUMBER: C:\Litelab\SolidWorks\Product\ALS\ALS FIXTURES\Submittals\A58AR111 (sub)	DATE: 12/29/08	No.	REVISION	BY	DATE
PROJECT NAME:	APPROX WEIGHT: 1.26 lbs / .57 kg	DRAWN BY: KMR	CHECKED BY: BJG	DESCRIPTION: AR111 HALOGEN ALS SLOT FIXTURE	000	Production Release	BJG	01.12.09



MAX TILT OF FIXTURE HEAD:
SHORT AXIS IS 43° FROM VERTICAL