

MODEL NUMBER: A56PAR20	FIXTURE TYPE:	SCALE: 1:2	FILE NUMBER: C:\Litelab\SolidWorks\Product\ALS\ALS FIXTURES\Submittals\A56PAR20 (sub)	DATE: 12/29/08	No.	REVISION	BY	DATE
PROJECT NAME:	APPROX WEIGHT: 1.12 lbs / .51 kg	DRAWN BY: KMR	CHECKED BY: BJG	DESCRIPTION: PAR-20 HALOGEN ALS SLOT FIXTURE	000	Production Release	BJG	01.12.09

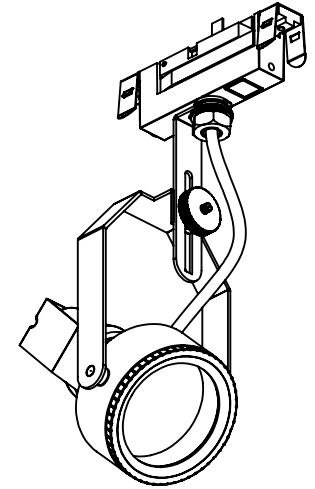
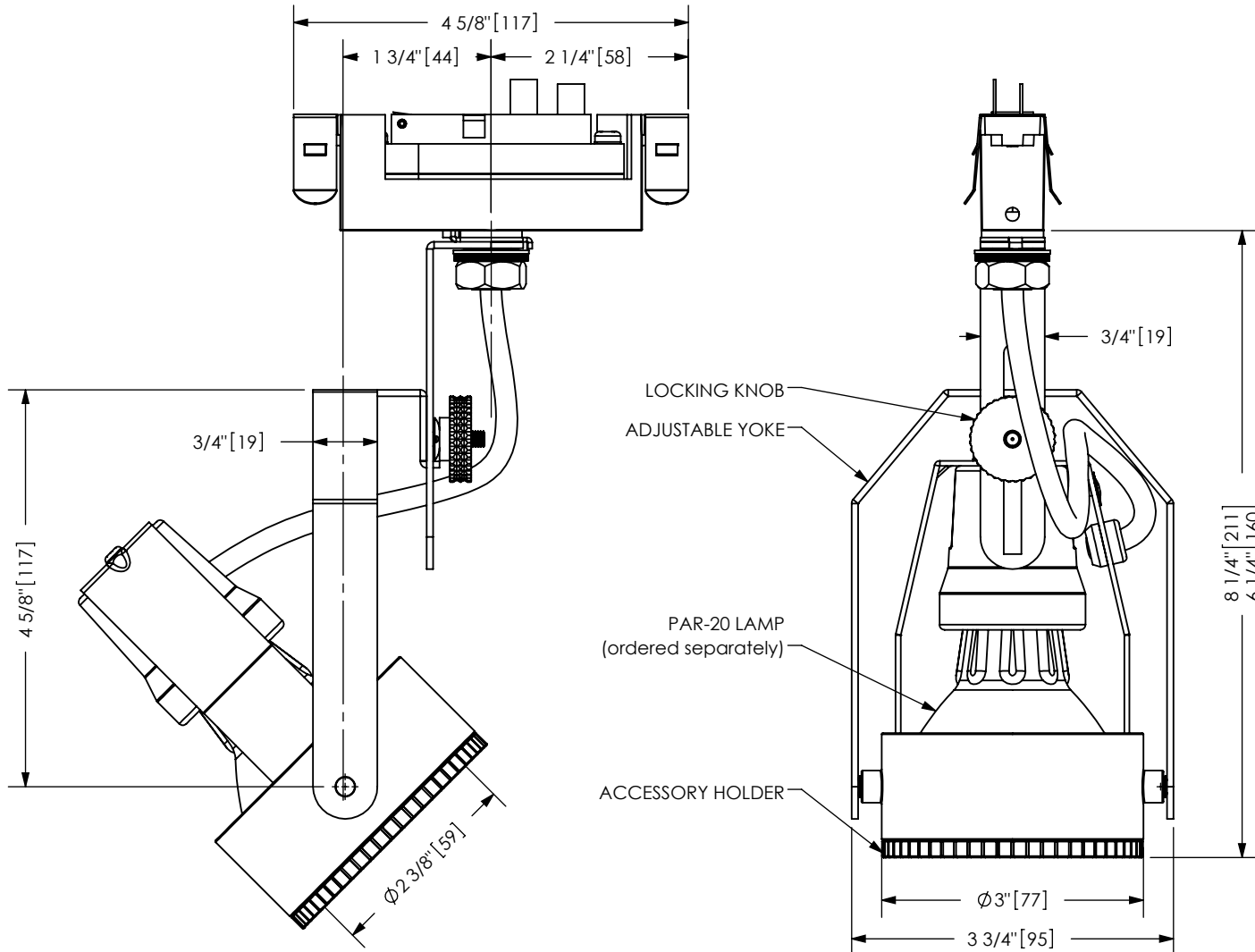
FITTINGS:
INTEGRAL TRANSFORMER
-SHALLOW BUSRUN

BUS FITTER OPTS:
NONE

LAMP:
PAR20 HALOGEN
120V / 50 Watt MAX
240V / 50 Watt MAX

FINISHES:
MB: BLACK
P: WHITE
ST: SILVER TONE
CP: CUSTOM PAINT

VOLTAGES:
120
240



ACCESSORIES

SIZE CODE: "g"

(Holds up to three, ordered separately)

LENSES

OL-5x55-g	SPREAD LENS
OL-FLAT-g-UV	UV FILTER
OL-SF-g	BEAM SOFTENER

LOUVERS AND BAFFLES:

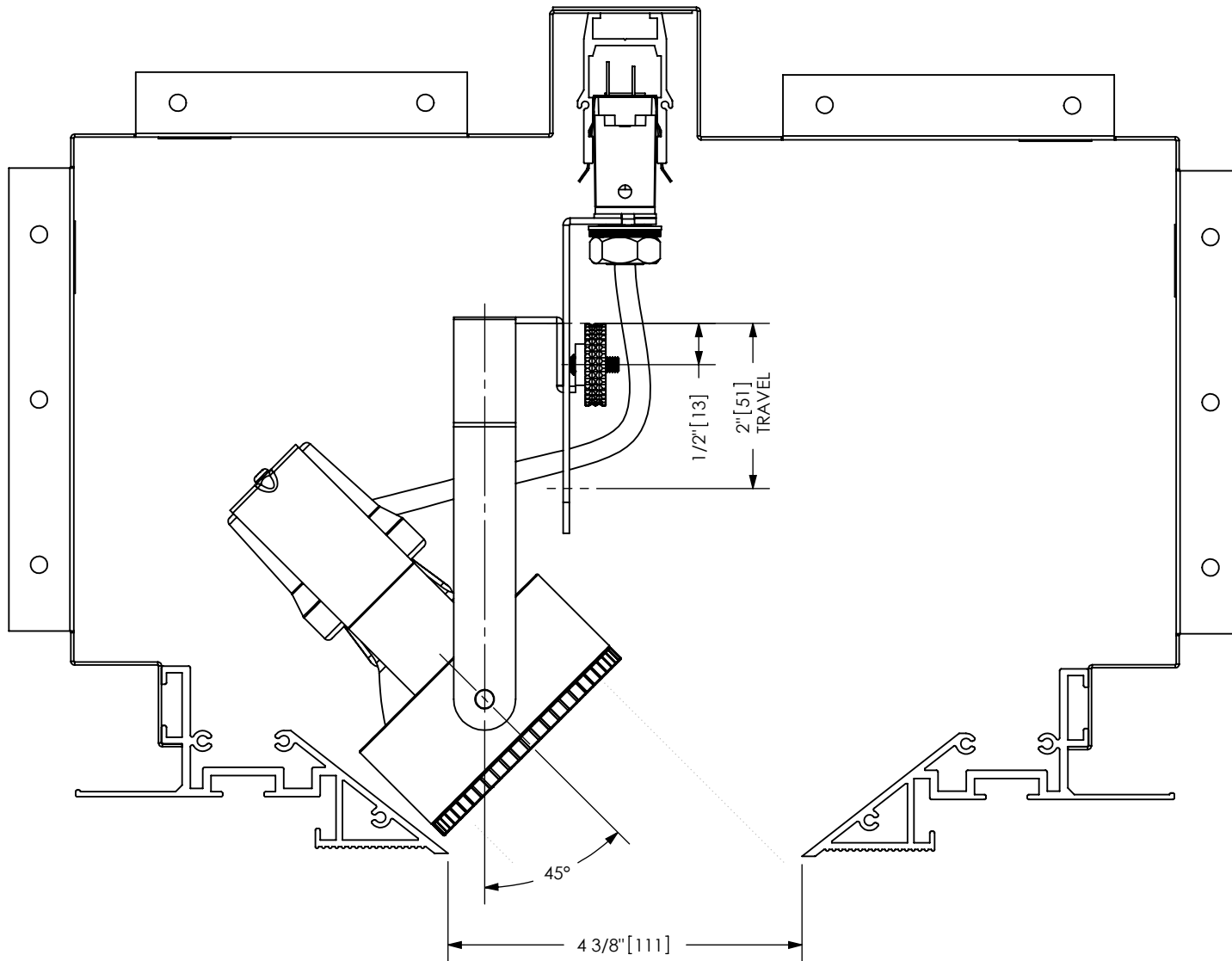
LVH/g	HEXCEL LOUVER
LVR/g	CUBE-CELL LOUVER
CHB/g	CROSS-HAIR BAFFLE

SNOOT:

SNOOT-S/g	STRAIGHT
SNOOT-S/g-WW	WALL-WASH
B-15/g	15% LIGHT BLOCKING SCREEN
BDL/g	BARNDOOR

See Accessories page for details

MODEL NUMBER: A56PAR20	FIXTURE TYPE:	SCALE: 1:2	FILE NUMBER: C:\Litelab\SolidWorks\Product\ALS\ALS FIXTURES\Submittals\A56PAR20 (sub)	DATE: 12/29/08	No.	REVISION	BY	DATE
PROJECT NAME:	APPROX WEIGHT: 1.12 lbs / .51 kg	DRAWN BY: KMR	CHECKED BY: BJG	DESCRIPTION: PAR-20 HALOGEN ALS SLOT FIXTURE	000	Production Release	BJG	01.12.09



MAX TILT OF FIXTURE HEAD:
SHORT AXIS IS 48° FROM VERTICAL