

MODEL NUMBER: A53MR16M	FIXTURE TYPE:	SCALE: 1:2	FILE NUMBER: W:\Product\ALS\ALS FIXTURES\Submittals\A53MR16M (sub)	DATE: 12/30/08	No.	REVISION	BY	DATE
PROJECT NAME:	APPROX WEIGHT: 1.8 lbs / .81 kg	DRAWN BY: KMR	CHECKED BY: BJG	DESCRIPTION: MR16 METAL HALIDE ALS SLOT FXTURE	000	Production Release	BJG	01.12.09
					A	Reduced number of accessories to 2.	BJG	06.08.09

FITTINGS:
 REMOTE BALLAST ENCLOSURE
 -DEEP BUSRUN
 -SHALLOW BUSRUN
 -BUSPOINT

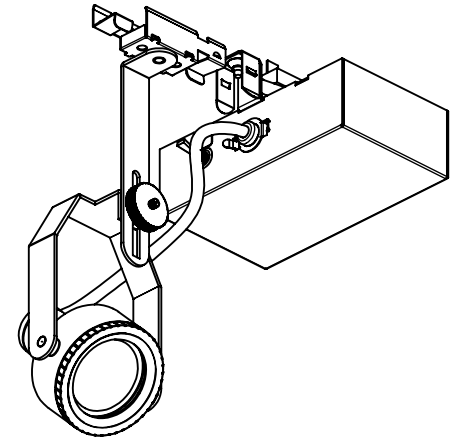
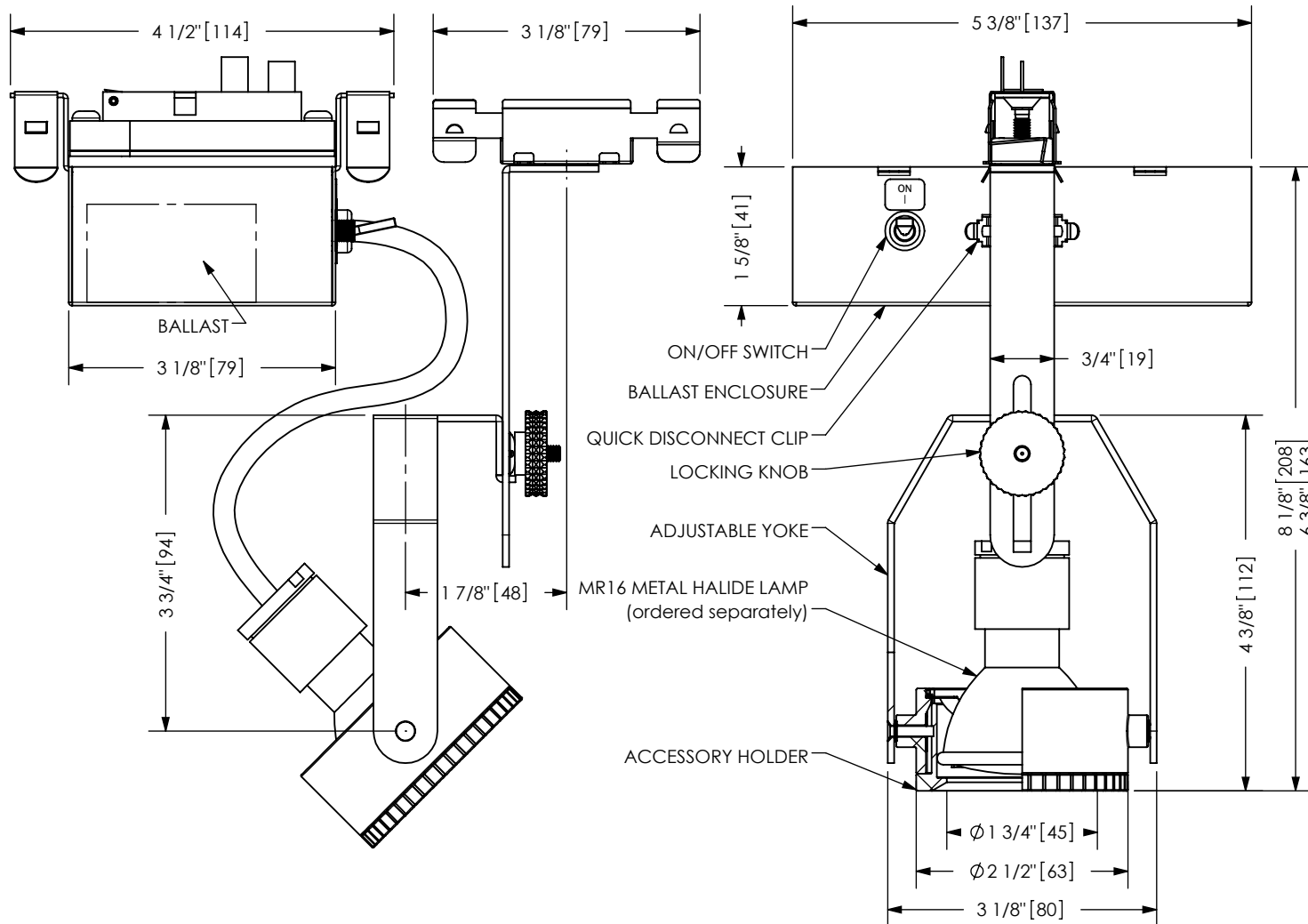
BUS FITTER OPTIONS:
 -NONE

LAMP:
 MR16 METAL HALIDE GX10
 20watt ANSI CODE M156/E
 35watt ANSI CODE M130

FINISHES:
 MB: BLACK
 P: WHITE
 ST: SILVER TONE
 CP: CUSTOM PAINT

VOLTAGES:
 120
 240
 277

FIXTURE REQUIRES 7 5/8" [194] TRACK SPACE MINIMUM



ACCESSORIES

SIZE CODE: "a"

(Holds up to two, ordered separately)

LENSES

- | | |
|---------------|---------------|
| OL-5x55-a | SPREAD LENS |
| OL-5x55-a-FR | FROSTED LENS |
| OL-55x75-a-FR | FROSTED LENS |
| OL-FLAT-a | CLEAR PTREX |
| OL-FLAT-a-UV | UV FILTER |
| OL-SOLITE-a | BEAM SOFTENER |

LOUVERS AND BAFFLES:

- | | |
|-------|-------------------|
| LVH/a | HEXCEL LOUVER |
| LVR/a | CUBE-CELL LOUVER |
| CHB/a | CROSS-HAIR BAFFLE |

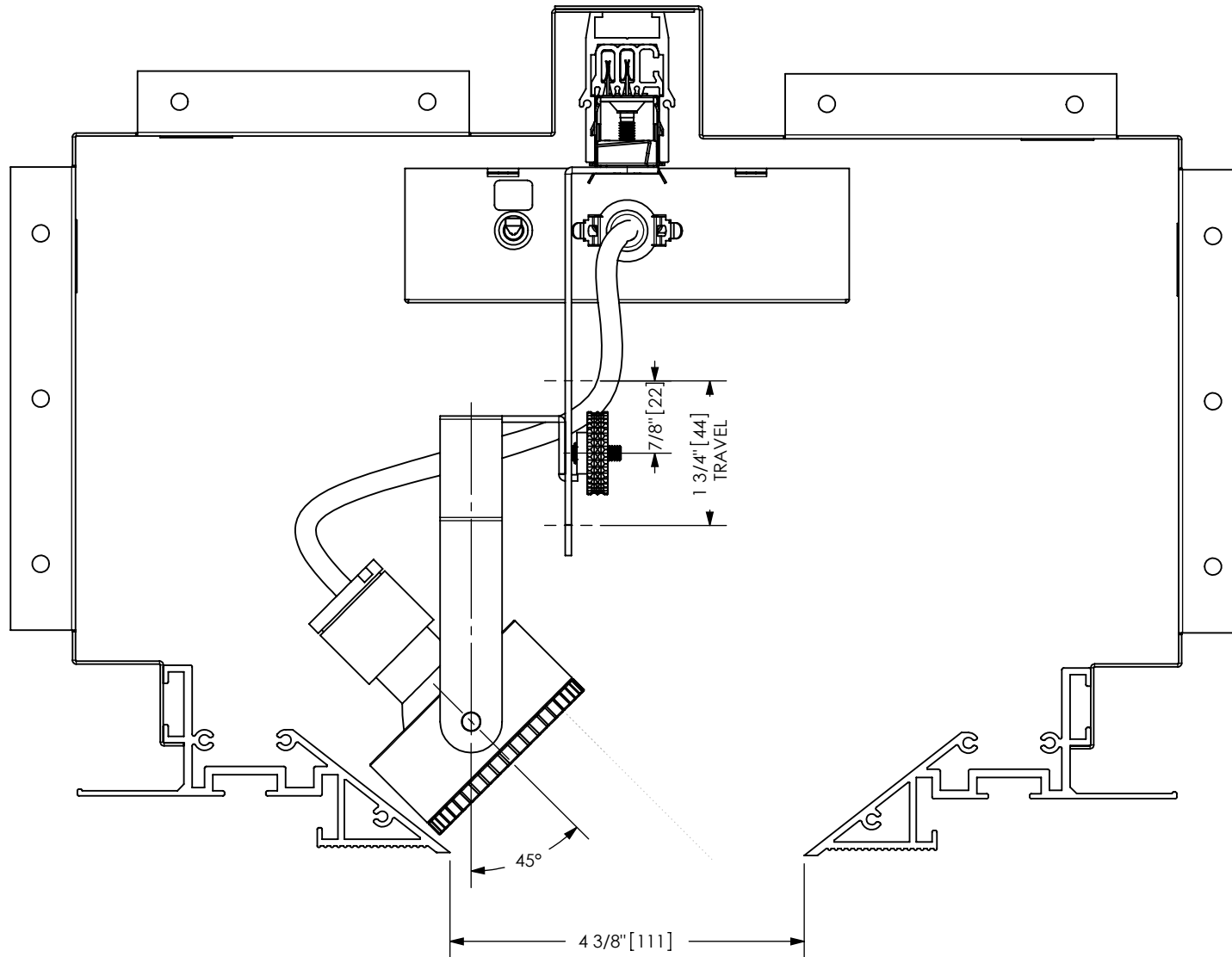
SNOOT:

- | | |
|--------------|-----------|
| SNOOT-S/a | STRAIGHT |
| SNOOT-S/a-WW | WALL-WASH |

B-15/a 15% LIGHT BLOCKING SCREEN

See Accessories page for details

MODEL NUMBER: A53MR16M	FIXTURE TYPE:	SCALE: 1:2	FILE NUMBER: W:\Product\ALS\ALS FIXTURES\Submittals\A53MR16M (sub)	DATE: 12/30/08	No.	REVISION	BY	DATE
PROJECT NAME:	APPROX WEIGHT: 1.8 lbs / .81 kg	DRAWN BY: KMR	CHECKED BY: BJG	DESCRIPTION: MR16 METAL HALIDE SHOWN IN H02 ALS SLOT	000	Production Release	BJG	01.12.09



MAX TILT OF FIXTURE HEAD:
SHORT AXIS IS 55° FROM VERTICAL