

MODEL NUMBER: A52MR16	FIXTURE TYPE:	SCALE: 1:2	FILE NUMBER: C:\Litelab\SolidWorks\Product\ALS\ALS FIXTURES\Submittals\A52MR16 (sub)	DATE: 12/11/08	No.	REVISION	BY	DATE
PROJECT NAME:	APPROX WEIGHT: .75 lbs / .34 kg	DRAWN BY: KMR	CHECKED BY: BJG	DESCRIPTION: MR16 HALOGEN ALS SLOT FIXTURE	000	Production Release	BJG	01.12.09

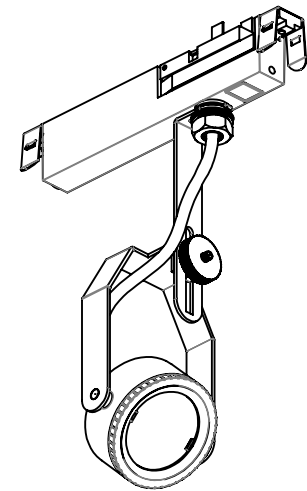
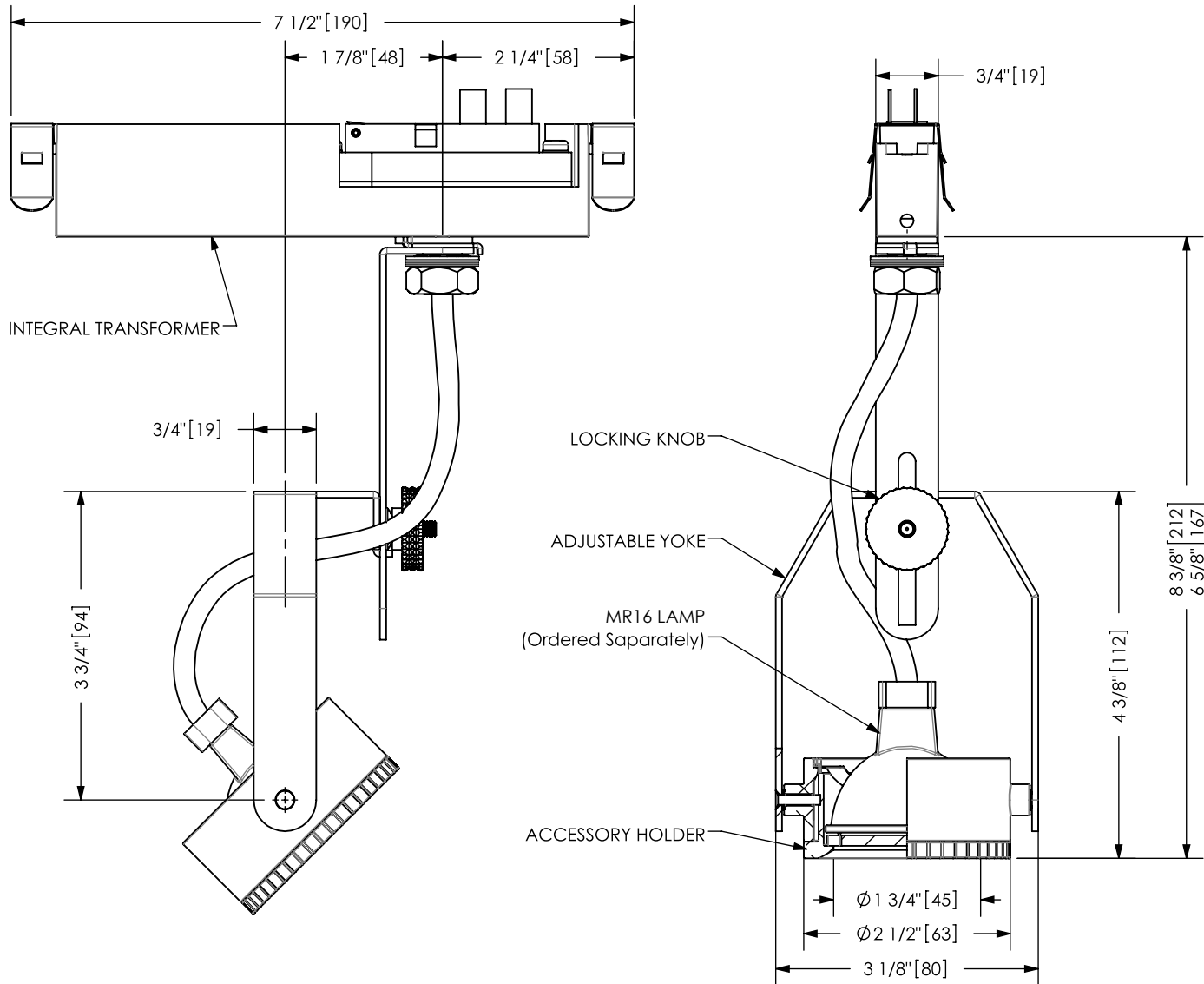
FITTINGS:
 INTEGRAL TRANSFORMER
 -SHALLOW BUSRUN

BUS FITTER OPTINS:
 NONE

LAMP:
 MR16 12v
 50 Watt MAX

FINISHES:
 MB: BLACK
 P: WHITE
 ST: SILVER TONE
 CP: CUSTOM PAINT

VOLTAGES:
 120
 240



ACCESSORIES
 SIZE CODE: "a"

(Holds up to three, ordered separately)

- LENSES**
- | | |
|---------------|------------------------|
| OL-5x55-a | SPREAD LENS |
| OL-5x55-a-FR | FROSTED LENS |
| OL-55x75-a-FR | FROSTED LENS |
| OL-FLAT-a | CLEAR PYREX (included) |
| OL-FLAT-a-UV | UV FILTER |
| OL-SF-a | BEAM SOFTENER |

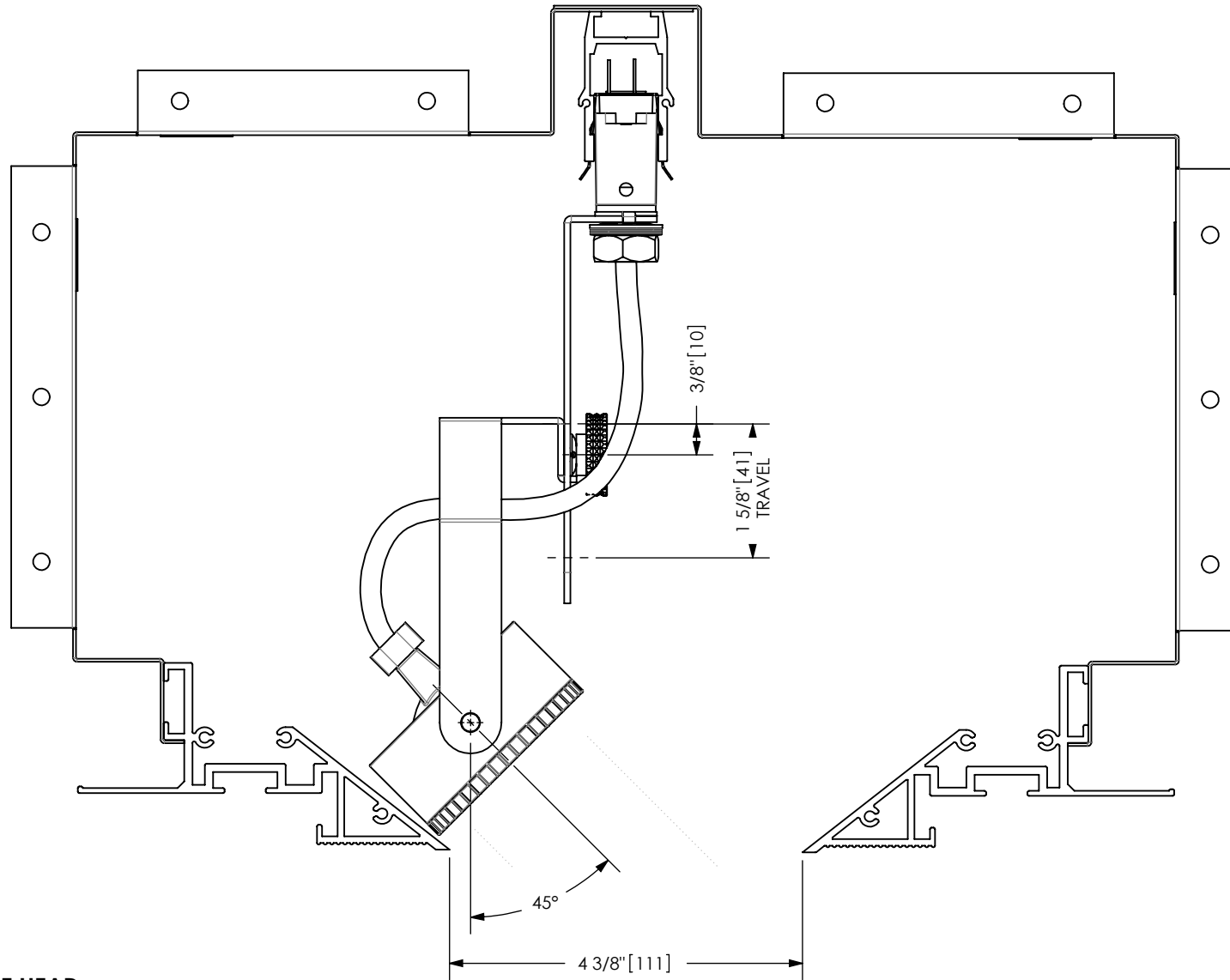
- LOUVERS AND BAFFLES:**
- | | |
|-------|-------------------|
| LVH/a | HEXCEL LOUVER |
| LVR/a | CUBE-CELL LOUVER |
| CHB/a | CROSS-HAIR BAFFLE |

- SNOOT:**
- | | |
|--------------|-----------|
| SNOOT-S/a | STRAIGHT |
| SNOOT-S/a-WW | WALL-WASH |

B-15/a 15% LIGHT BLOCKING SCREEN

See Accessories page for details

MODEL NUMBER: A52MR16	FIXTURE TYPE:	SCALE: 1:2	FILE NUMBER: C:\Litelab\SolidWorks\Product\ALS\ALS FIXTURES\Submittals\A52MR16 (sub)	DATE: 12/11/08	No.	REVISION	BY	DATE
PROJECT NAME:	APPROX WEIGHT: .75 lbs / .34 kg	DRAWN BY: KMR	CHECKED BY: BJG	DESCRIPTION: MR16 HALOGEN ALS SLOT FIXTURE	000	Production Release	BJG	01.12.09



MAX TILT OF FIXTURE HEAD:
SHORT AXIS IS 55° FROM VERTICAL