

## LED Framing Projector

### A04



**Specify:**

A04  -  -  -  -  -

**FIXTURE MODEL** **LUMENS** **ADAPTER** **VOLTAGE** **CRI** **CCT** **FINISH**

**Example:**

A04 L1800 9TC A 93 30 P

This Litelab fixture features quality optics, precision image projection and an even field. The ultra-high-efficiency LED allows maximum light output from a small fixture. The CREE CXB engine is available in a range of color temperatures and produces high CRI and R9 values.

LUMEN OPTIONS	CRI /CCT COLOR TEMP OPTIONS	INPUT REQUIREMENTS
<b>L1800</b> 1800 lumens	<b>93   30</b> 93 CRI/3000°K	<b>120VAC/50-60Hz:</b> 22.6w/0.19A

*For alternative Lumen outputs and Color Temperatures - consult factory.*

## Features & Benefits

### Fixture Description

Single piece die-cast aluminum fixture body allows for high efficiency passive cooling. Deep regressed LED and optic designed for maximum glare control. Shutter release and locking designed for ease of use and comfort. Aspherical and Fresnel lensing provides crisp image projection and an even field of light.

### Framing

Provides accurate adjustable framing for a variety of applications, at a broad range of distances. Shutter release and locking mechanism ensures easy adjustability of frame and consistency of framing over time. Adjustable focus provides smooth or sharp framing edge.

### Gobo

Custom-cut Gobos available for image projection. A wide variety of narrow beam-angle pin-spot gobos are also available on request. Please consult the factory for more information about our Gobo offering.

### Lenses & Accessories\*\*

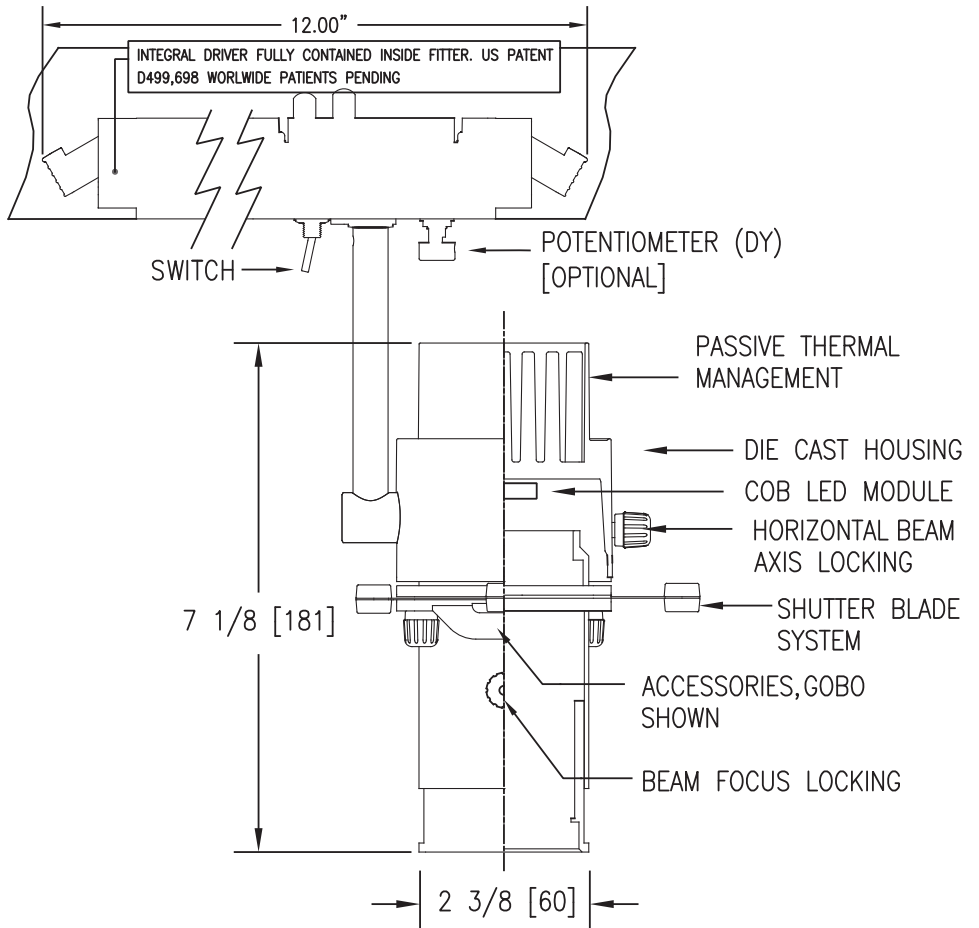
Optional laser-cut gobos are available for narrow beam-angles or image projection.

### Finishes

Available in white, black and custom finish.

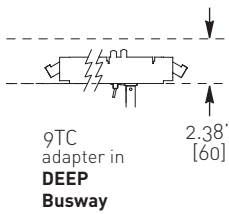
### Dimming

This fixture is provided with an LED Driver suitable for trailing edge dimming. Dimming performance may vary based on dimmer model or system being used. If exact performance is required, Litelab recommends testing the Litelab fixture and specified dimmer. Fixtures specified with an on-board dimmer are not to be used on dimming circuits.



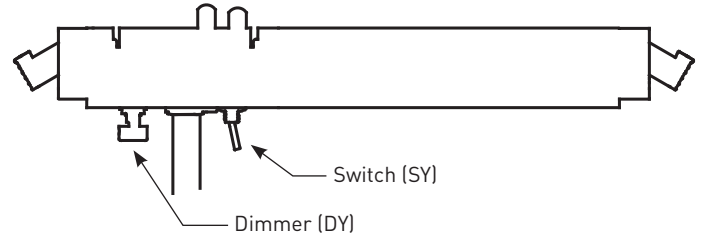
**ADAPTERS**

**BUSRUN**



adapter code	on-off switch	on-board dimmer w/ on-off switch	rotation lock*	voltage
	optional	optional	standard	
<input type="checkbox"/> <b>9TC</b>	<b>-SY</b>	<b>-DY</b>	<b>-RL</b>	<b>-A</b>
fused Lock n Hide fitter with integral driver for use with <b>Deep 120V BusRun</b> busway				
<input type="checkbox"/> <b>9HC</b>	<b>-SY</b>	<b>-DY</b>	<b>-RL</b>	<b>-D</b>
fused Lock n Hide fitter with integral driver for use with <b>Deep 240V BusRun</b> busway				
<input type="checkbox"/> <b>9TD</b>	<b>-SY</b>	<b>-DY</b>	<b>-RL</b>	<b>-A</b>
fused plug-in fitter with integral driver for use with <b>Deep 120V BusRun</b> busway				
<input type="checkbox"/> <b>9HD</b>	<b>-SY</b>	<b>-DY</b>	<b>-RL</b>	<b>-D</b>
fused plug-in fitter with integral driver for use with <b>Deep 240V BusRun</b> busway				

**DY-SY FITTER DETAIL (240 VOLT ONLY)**



**FINISHES**

Consult with Litelab for other finishes

- P** White
- MB** Black
- CP** Custom Finish

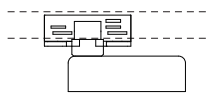
**CORD & PLUG OPTIONS**

Consult factory.

\* When DY-SY option is specified, RL rotation lock feature is not available.

**EU TRACK (120V, 240V)**

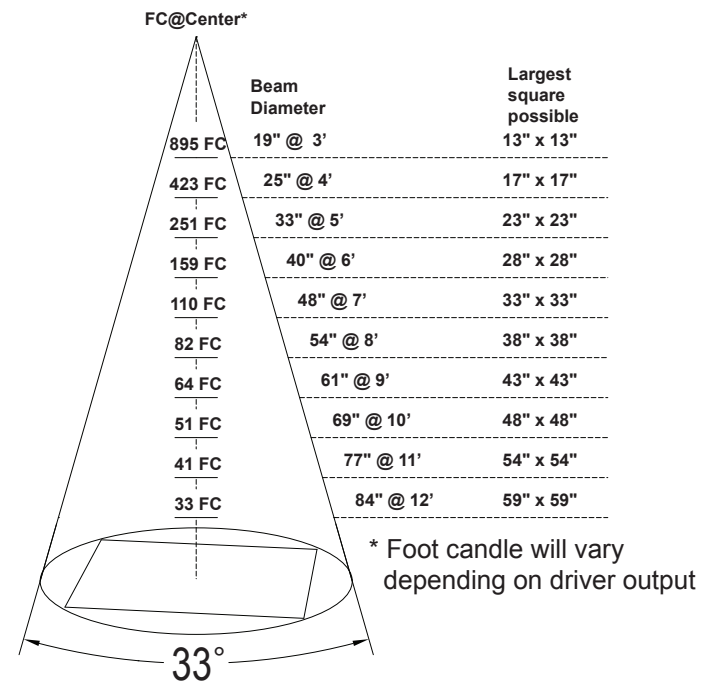
2-3 Circuit



adapter code	data bus contacts	on-board dimmer w/ on-off switch	voltage
	optional	optional	
<input type="checkbox"/> <b>E2</b>	<b>DB</b>	<b>-DY-SY</b>	<b>-A</b>
track adapter for use with 2-circuit Eutrac			
<input type="checkbox"/> <b>E3</b>	<b>DB</b>	<b>-DY-SY</b>	<b>-D</b>
track adapter for use with 3-circuit Eutrac			

- When specifying data bus contacts, indicate control protocol.
- Data bus contacts cannot be used on fixture with an on-board dimmer.
- Fixtures with an on-board dimmer are not to be used on dimming circuits.

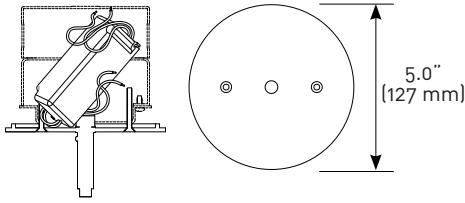
**FOOT CANDLE CHART**



ADAPTERS

CANOPY WITH POWER SUPPLY (120V, 277V, 240V)

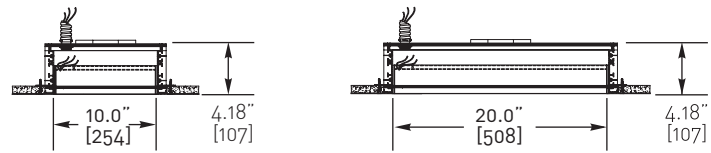
- 3L-A 120V
- 3L-D 240V



5" (127mm) diameter x 1/4" (6mm) height machined canopy with electronic low-voltage power supply. (Junction box and raised mud ring not included.)

The number of electrical boxes shown is for reference only, and is the minimum required to fit the power supply indicated. Add extension boxes as necessary to meet the volume requirement based on wire fill as defined by National Electrical Code, Article 314.

BUSPOINTS

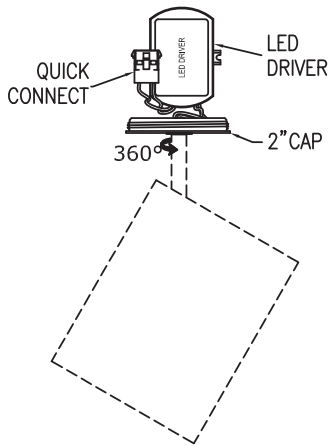


- BP1-08-1A-10 120V
- BP1-08-3D-10 240V
- BP1-08-1A-20 120V
- BP1-08-3D-20 240V

2" QUICK CONNECT CANOPY

2" canopy voltage

- 4L-A 120V

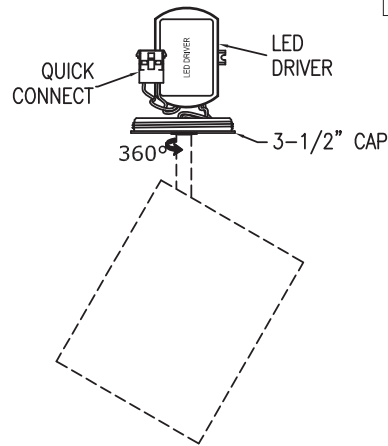


QC-4K kit is required with -4L fixture.

3-1/2" QUICK CONNECT CANOPY

3-1/2" canopy voltage

- 5L-D 240V

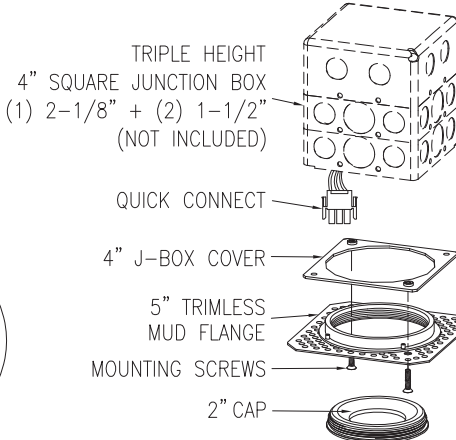


QC-5K kit is required with -5L fixture.

2" QUICK CONNECT FLANGE KIT

QC-4K kit for use with -4L fixture.

(For use with 120V, Reverse Phase (ELV) dimming only.)



3-1/2" QUICK CONNECT FLANGE KIT

QC-5K kit for use with -5L fixture.

