

LED Framing Projector

A04



Specify:

A04 - - - - -

FIXTURE MODEL LUMENS ADAPTER VOLTAGE CRI CCT FINISH

Example:

A04 L1550 9TC-RL A 93 30 P

This Litelab fixture features quality optics, precision image projection and an even field. The ultra-high-efficiency LED allows maximum light output from a small fixture. The CREE CXB engine is available in a range of color temperatures and produces high CRI and R9 values.

LUMEN OPTIONS	CRI /CCT COLOR TEMP OPTIONS	INPUT REQUIREMENTS
L1550 1560 lumens	93 30 93 CRI/3000°K	120VAC/50-60Hz: 21.6w/0.18A
L1650 1677 lumens	93 35 93 CRI/3500°K	230VAC/50-60Hz: 23.0w/0.10A
L1900 1930 lumens	80 30 80 CRI/3000°K	
L1900 1930 lumens	80 35 80 CRI/3500°K	
L1200 1200 lumens	93 30 93 CRI/3000°K	120VAC/50-60Hz: 16.8w/0.14A
L1250 1290 lumens	93 35 93 CRI/3500°K	230VAC/50-60Hz: 20.7w/0.09A
L1450 1485 lumens	80 30 80 CRI/3000°K	
L1450 1485 lumens	80 35 80 CRI/3500°K	

Features & Benefits

Fixture Description

Single piece die-cast aluminum fixture body allows for high efficiency passive cooling. Deep regressed LED and optic designed for maximum glare control. Shutter release and locking designed for ease of use and comfort. Aspherical and Fresnel lensing provides crisp image projection and an even field of light.

Framing

Provides accurate adjustable framing for a variety of applications, at a broad range of distances. Shutter release and locking mechanism ensures easy adjustability of frame and consistency of framing over time. Adjustable focus provides smooth or sharp framing edge.

Gobo

Custom-cut Gobos available for image projection. A wide variety of narrow beam-angle pin-spot gobos are also available on request. Please consult the factory for more information about our Gobo offering.

Lenses & Accessories**

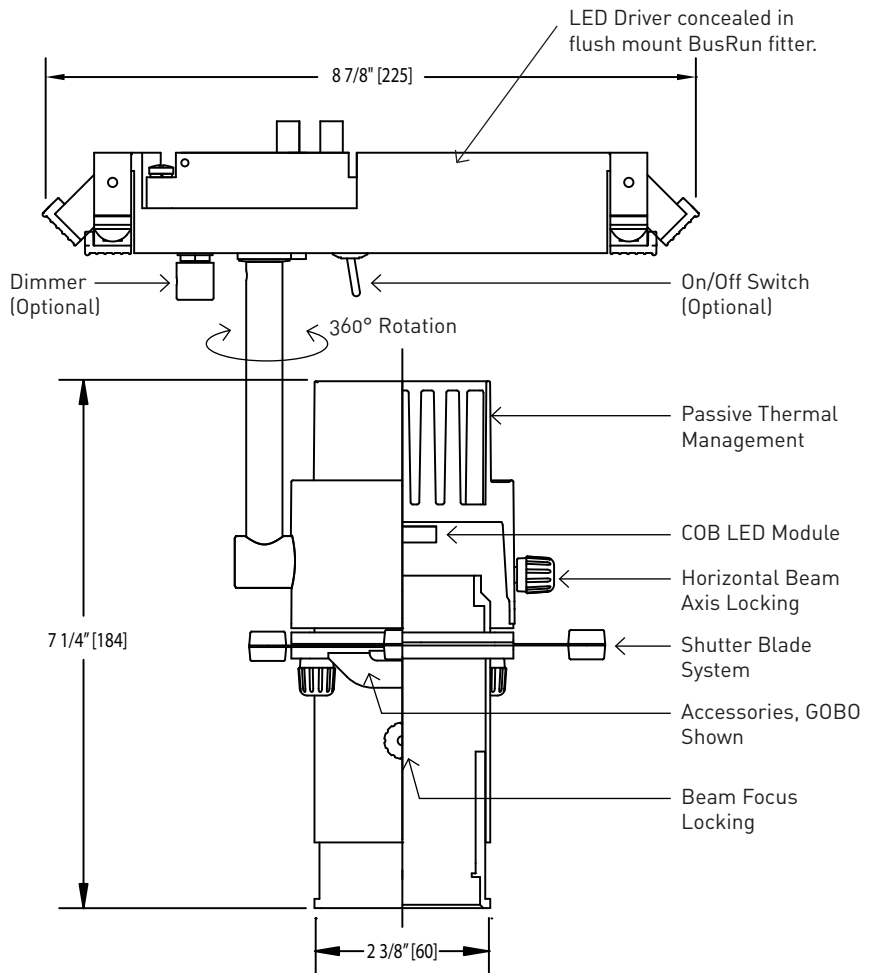
Optional laser-cut gobos are available for narrow beam-angles or image projection.

Finishes

Available in white, black and custom finish.

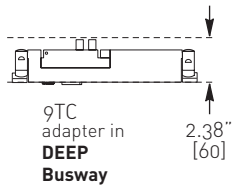
Dimming

This fixture is provided with an LED Driver suitable for trailing edge dimming. Dimming performance may vary based on dimmer model or system being used. If exact performance is required, Litelab recommends testing the Litelab fixture and specified dimmer. Fixtures specified with an on-board dimmer are not to be used on dimming circuits.



ADAPTERS

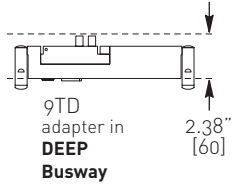
BUSRUN



adapter code	on-off switch	on-board dimmer w/ on-off switch	rotation lock*	voltage
	optional	optional	standard	

9TC -SY -DY-SY -RL -A
fused Lock n Hide fitter with integral driver for use with **Deep 120V BusRun** busway

9TC -SY -DY-SY -RL -D
fused Lock n Hide fitter with integral driver for use with **Deep 240V BusRun** busway



9TD -SY -DY-SY -RL -A
fused plug-in fitter with integral driver for use with **Deep 120V BusRun** busway

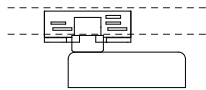
9TD -SY -DY-SY -RL -D
fused plug-in fitter with integral driver for use with **Deep 240V BusRun** busway

* When DY-SY option is specified, RL rotation lock feature is not available. Fixtures specified with an on-board dimmer are not to be used on dimming circuits.

EU TRACK (120V, 240V)

2-3 Circuit

adapter code	data bus contacts	on-board dimmer w/ on-off switch	voltage
	optional	optional	

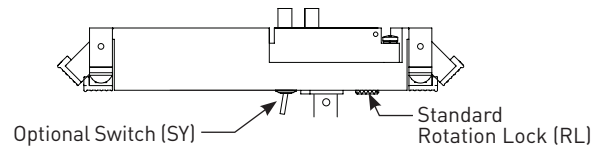


E2 DB -DY-SY -A
track adapter for use with 2-circuit Eutrac

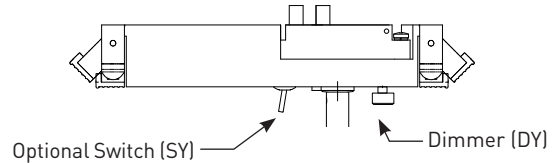
E3 DB -DY-SY -D
track adapter for use with 3-circuit Eutrac

- When specifying data bus contacts, indicate control protocol.
- Data bus contacts cannot be used on fixture with an on-board dimmer.
- Fixtures with an on-board dimmer are not to be used on dimming circuits.

FITTER DETAIL



DY-SY FITTER DETAIL



LENSES

need details

FINISHES

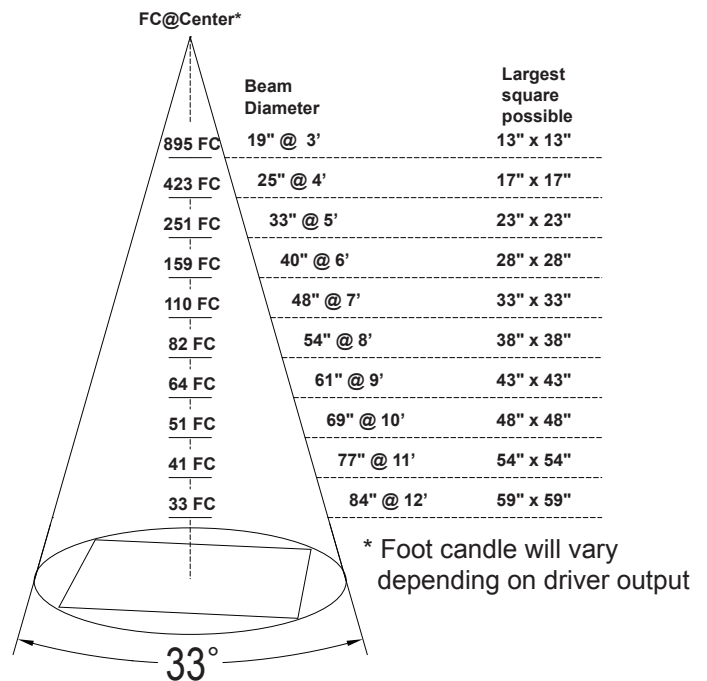
Consult with Litelab for other finishes

- P** White
- MB** Black
- CP** Custom Finish

CORD & PLUG OPTIONS

Consult factory.

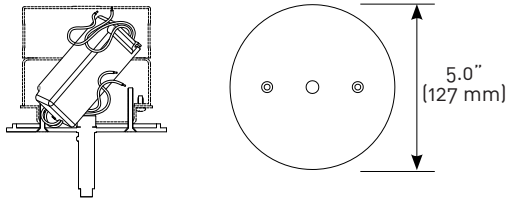
FOOT CANDLE CHART



ADAPTERS

CANOPY WITH POWER SUPPLY (120V, 277V, 240V)

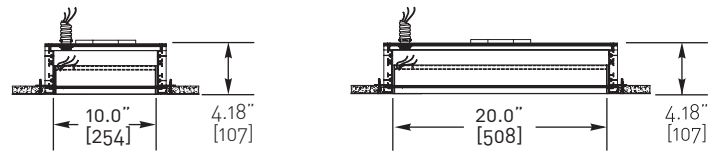
- 3L-A 120V
- 3L-D 240V



5" (127mm) diameter x 1/4" (6mm) height machined canopy with electronic low-voltage power supply. (Junction box and raised mud ring not included.)

The number of electrical boxes shown is for reference only, and is the minimum required to fit the power supply indicated. Add extension boxes as necessary to meet the volume requirement based on wire fill as defined by National Electrical Code, Article 314.

BUSPOINTS

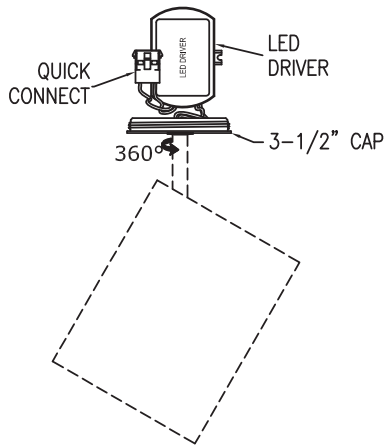


- BP1-08-1A-10** 120V
- BP1-08-3D-10** 240V

- BP1-08-1A-20** 120V
- BP1-08-3D-20** 240V

3-1/2" QUICK CONNECT CANOPY

3-1/2" canopy voltage



- 5L-A 120V
- 5L-D 240V

QC-5K kit is required with -5L fixture.

3-1/2" QUICK CONNECT FLANGE KIT

QC-5K kit for use with -5L fixture.

