

LED Wallwash

A02



Specify:

A02 - - - - -

FIXTURE MODEL **LUMENS** - **ADAPTER** - **VOLTAGE** - **CRI** **CCT** - **FINISH**

Example:

A02 L1800 - 9TC - A - 93 30 - P

This Litelab fixture features an ultra-high-efficiency LED that allows maximum light output from a small fixture. The CREE CXB engine is available in an architectural range of color temperatures and produces high CRI and R9 values.

LUMEN OPTIONS	CRI /CCT COLOR TEMP OPTIONS	INPUT REQUIREMENTS
L1800 1800 lumens	93 30 93 CRI/3000°K	120VAC/50-60Hz: 22.6w/0.19A

For alternative Lumen outputs and Color Temperatures - consult factory.

Features & Benefits

Fixture Description

Single piece die-cast aluminum fixture body allows for high efficiency passive cooling. Deep regressed LED and optic designed for maximum glare control. Fixture to be supplied with baffle, accessory holder and OL-55x75 wallwash spread lens.

Flush Fit adapter with Rotation Lock *

Adapter plugs into Busway with separate electrical and mechanical connections. When used with Deep Busway, Lock and Hide adapters recess entirely inside of Busway. Supplied with standard thumb wheel rotation lock, except on fixtures with optional on-board dimming. Available with on-off switch. Ask factory about alternative fitters for Litelab fixtures.

Accessory Cartridge

Holds up to two accessories—including a range of lenses, filters and louvers.

Lenses & Accessories**

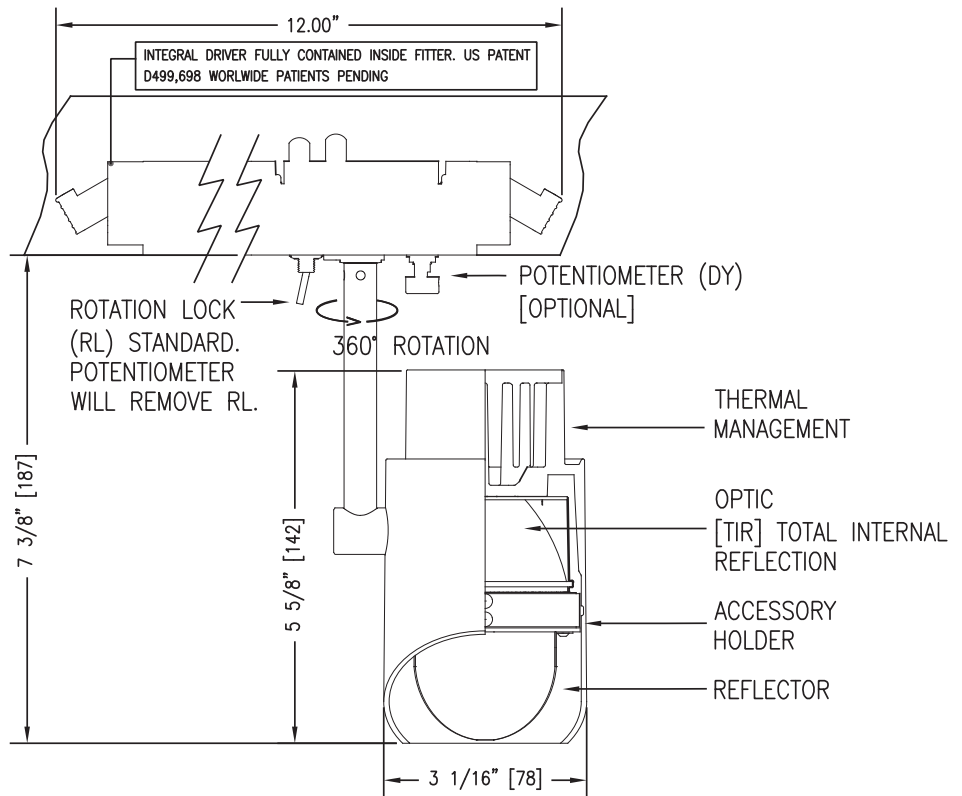
Standard wallwash spread lens included with fixture. Photo etched light blocking screens and beam softener lens are also available. Accessory code shall be "g".

Finishes

Available in white, black and custom finish.

Dimming

This fixture is provided with an LED Driver suitable for trailing edge dimming. Dimming performance may vary based on dimmer model or system being used. If exact performance is required, Litelab recommends testing the Litelab fixture and specified dimmer. Fixtures specified with an on-board dimmer are not to be used on dimming circuits.



Input Fittings & Accessories

A02

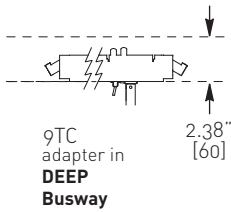
Job Name:

Fixture Type:

ADAPTERS

BUSRUN

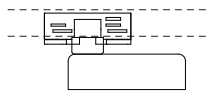
adapter code	on-off switch	on-board dimmer w/ on-off switch	rotation lock*	voltage
	optional	optional	standard	
<input type="checkbox"/> 9TC	-SY	-DY	-RL	-A
fused Lock n Hide fitter with integral driver for use with Deep 120V BusRun busway				
<input type="checkbox"/> 9HC	-SY	-DY	-RL	-D
fused Lock n Hide fitter with integral driver for use with Deep 240V BusRun busway				
<input type="checkbox"/> 9TD	-SY	-DY	-RL	-A
fused plug-in fitter with integral driver for use with Deep 120V BusRun busway				
<input type="checkbox"/> 9HD	-SY	-DY	-RL	-D
fused plug-in fitter with integral driver for use with Deep 240V BusRun busway				



* When DY-SY option is specified, RL rotation lock feature is not available.

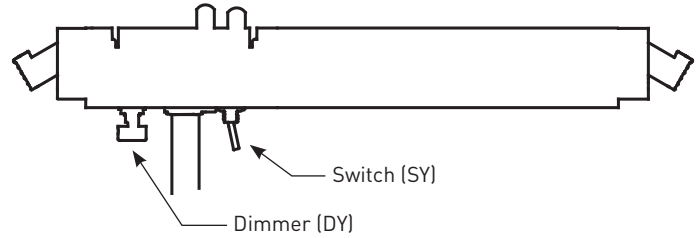
EU TRACK (120V, 240V)

adapter code	data bus contacts	on-board dimmer w/ on-off switch	voltage
	optional	optional	
<input type="checkbox"/> E2	DB	-DY-SY	-A
track adapter for use with 2-circuit Eutrac			
<input type="checkbox"/> E3	DB	-DY-SY	-D
track adapter for use with 3-circuit Eutrac			



- When specifying data bus contacts, indicate control protocol.
- Data bus contacts cannot be used on fixture with an on-board dimmer.
- Fixtures with an on-board dimmer are not to be used on dimming circuits.

DY-SY FITTER DETAIL (240 VOLT ONLY)



ACCESSORIES

Spread Lenses

- Universal Spread**
- OL- 55° x 75°-g (included)

Screens

- Light Block Screen**
- B-15N/g
- Photo-etched, 15% light-blocking screen. Accepts up to 5 for 30%, 45%, 60% or 75% (maximum)

FINISHES

Consult with Litelab for other finishes

- P** White
- MB** Black
- CP** Custom Finish

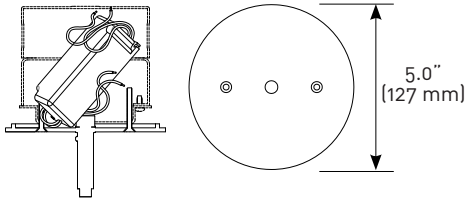
CORD & PLUG OPTIONS

Consult factory.

ADAPTERS

CANOPY WITH POWER SUPPLY (120V, 277V, 240V)

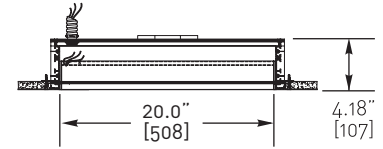
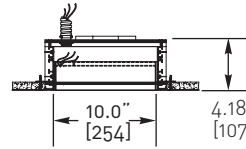
- 3L-A 120V
- 3L-D 240V



5" (127mm) diameter x 1/4" (6mm) height machined canopy with electronic low-voltage power supply. (Junction box and raised mud ring not included.)

The number of electrical boxes shown is for reference only, and is the minimum required to fit the power supply indicated. Add extension boxes as necessary to meet the volume requirement based on wire fill as defined by National Electrical Code, Article 314.

BUSPOINTS



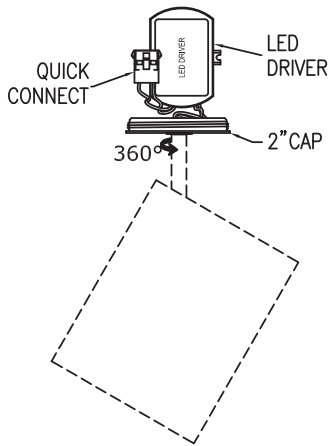
- BP1-08-1A-10 120V
- BP1-08-3D-10 240V

- BP1-08-1A-20 120V
- BP1-08-3D-20 240V

2" QUICK CONNECT CANOPY

2" canopy voltage

- 4L-A 120V

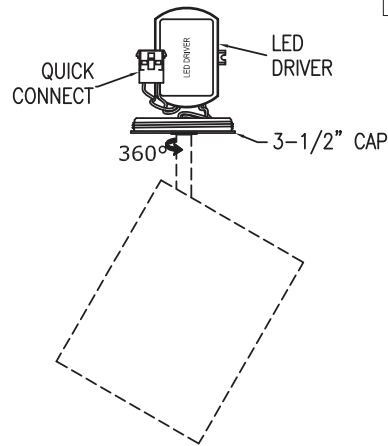


QC-4K kit is required with -4L fixture.

3-1/2" QUICK CONNECT CANOPY

3-1/2" canopy voltage

- 5L-D 240V

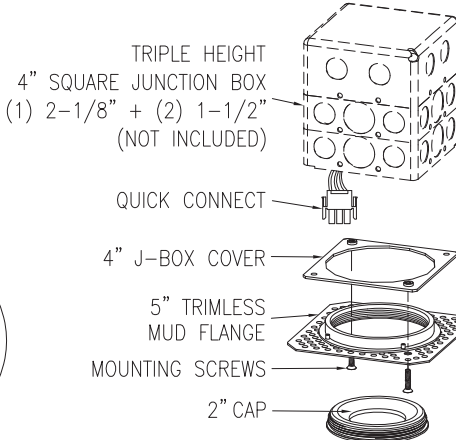


QC-5K kit is required with -5L fixture.

2" QUICK CONNECT FLANGE KIT

QC-4K kit for use with -4L fixture.

(For use with 120V, Reverse Phase (ELV) dimming only.)



3-1/2" QUICK CONNECT FLANGE KIT

QC-5K kit for use with -5L fixture.

