

## LED Wallwash

### A02



**Specify:**

A02 - - - - -

FIXTURE MODEL LUMENS ADAPTER VOLTAGE CRI CCT FINISH

**Example:**

A02 L1550 9HC A 93 30 P

This Litelab fixture features an ultra-high-efficiency LED that allows maximum light output from a small fixture. The CREE CXB engine is available in an architectural range of color temperatures and produces high CRI and R9 values.

LUMEN OPTIONS		CRI /CCT COLOR TEMP OPTIONS		INPUT REQUIREMENTS
<b>L1550</b>	1560 lumens	<b>93   30</b>	93 CRI/3000°K	<b>120VAC/50-60Hz:</b> 21.6w/0.18A
<b>L1650</b>	1677 lumens	<b>93   35</b>	93 CRI/3500°K	<b>230VAC/50-60Hz:</b> 23.0w/0.10A
<b>L1900</b>	1930 lumens	<b>80   30</b>	80 CRI/3000°K	
<b>L1900</b>	1930 lumens	<b>80   35</b>	80 CRI/3500°K	
<b>L1200</b>	1200 lumens	<b>93   30</b>	93 CRI/3000°K	<b>120VAC/50-60Hz:</b> 16.8w/0.14A
<b>L1250</b>	1290 lumens	<b>93   35</b>	93 CRI/3500°K	<b>230VAC/50-60Hz:</b> 20.7w/0.09A
<b>L1450</b>	1485 lumens	<b>80   30</b>	80 CRI/3000°K	
<b>L1450</b>	1485 lumens	<b>80   35</b>	80 CRI/3500°K	

## Features & Benefits

### Fixture Description

Single piece die-cast aluminum fixture body allows for high efficiency passive cooling. Deep regressed LED and optic designed for maximum glare control. Fixture to be supplied with baffle, accessory holder and OL-55x75 wallwash spread lens.

### Flush Fit adapter with Rotation Lock \*

Adapter plugs into Busway with separate electrical and mechanical connections. When used with Deep Busway, Lock and Hide adapters recess entirely inside of Busway. Supplied with standard thumb wheel rotation lock, except on fixtures with optional on-board dimming. Available with on-off switch. Ask factory about alternative fitters for Litelab fixtures.

### Accessory Cartridge

Holds up to two accessories—including a range of lenses, filters and louvers.

### Lenses & Accessories\*\*

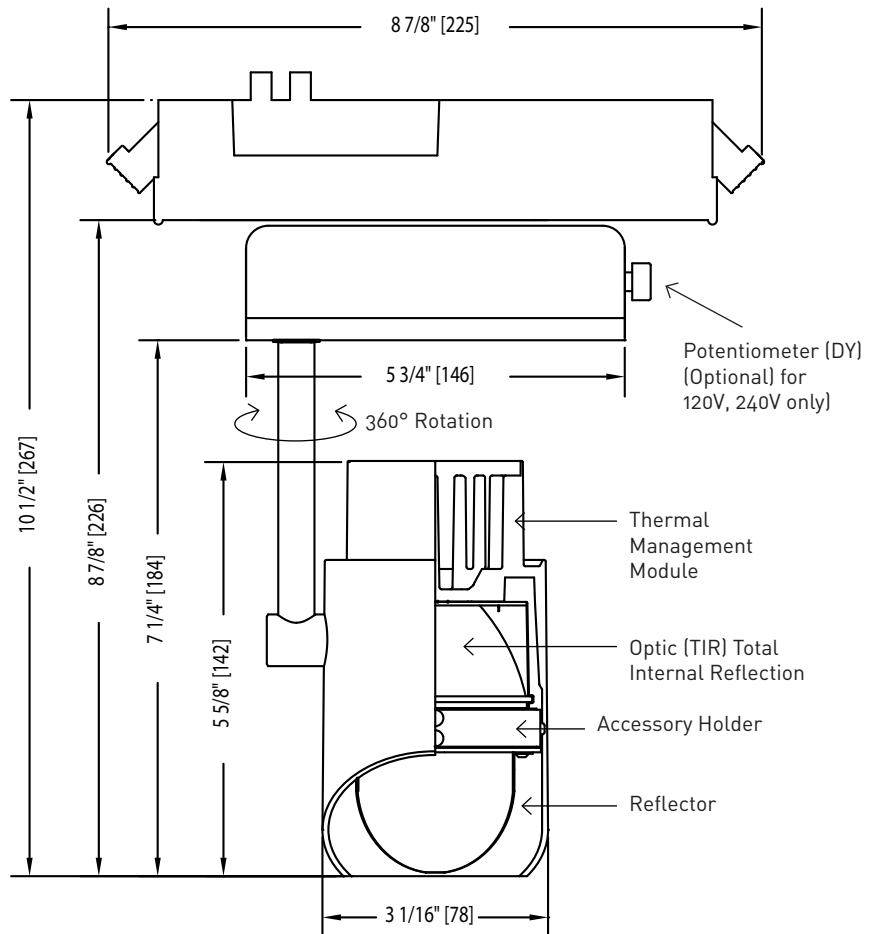
Standard wallwash spread lens included with fixture. Photo etched light blocking screens and beam softener lens are also available. Accessory code shall be "g".

### Finishes

Available in white, black and custom finish.

### Dimming

This fixture is provided with an LED Driver suitable for trailing edge dimming. Dimming performance may vary based on dimmer model or system being used. If exact performance is required, Litelab recommends testing the Litelab fixture and specified dimmer. Fixtures specified with an on-board dimmer are not to be used on dimming circuits.



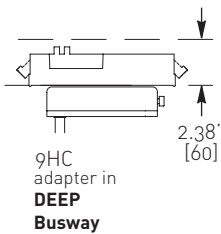
# Input Fittings & Accessories

A02

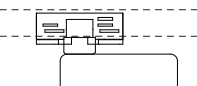
Job Name:

Fixture Type:

## ADAPTERS

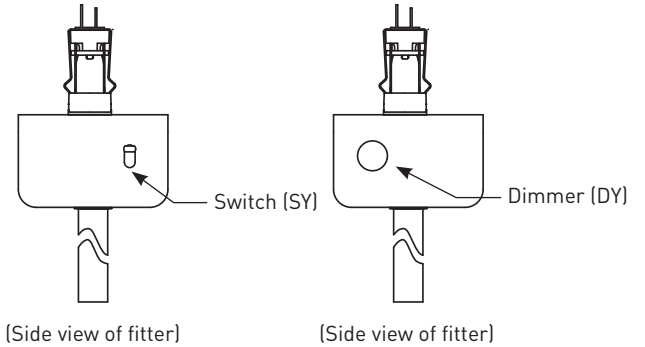
BUSRUN	adapter code	on-off switch optional	on-board dimmer w/ on-off switch optional	rotation lock* standard	voltage
 <p>9HC adapter in DEEP Busway</p>	<b>9HC</b>	<b>-SY</b>	<b>-DY-SY</b>	<b>-RL</b>	<b>-A</b>
	fused Lock n Hide fitter with integral driver for use with <b>Deep 120V BusRun</b> busway				
	<b>9HC</b>	<b>-SY</b>	<b>-DY-SY</b>	<b>-RL</b>	<b>-D</b>
	fused Lock n Hide fitter with integral driver for use with <b>Deep 240V BusRun</b> busway				
	<b>9HC</b>	<b>-SY</b>	<b>-DY-SY</b>	<b>-RL</b>	<b>-A</b>
fused plug-in fitter with integral driver for use with <b>Deep 120V BusRun</b> busway					
	<b>9HC</b>	<b>-SY</b>	<b>-DY-SY</b>	<b>-RL</b>	<b>-D</b>
fused plug-in fitter with integral driver for use with <b>Deep 240V BusRun</b> busway					

\* When DY-SY option is specified, RL rotation lock feature is not available. Fixtures specified with an on-board dimmer are not to be used on dimming circuits.

EU TRACK (120V, 240V)	adapter code	data bus contacts optional	on-board dimmer w/ on-off switch optional	voltage
2-3 Circuit				
	<b>E2</b>	<b>DB</b>	<b>-DY-SY</b>	<b>-A</b>
	track adapter for use with 2-circuit Eutrac			
	<b>E3</b>	<b>DB</b>	<b>-DY-SY</b>	<b>-D</b>
track adapter for use with 3-circuit Eutrac				

- When specifying data bus contacts, indicate control protocol.
- Data bus contacts cannot be used on fixture with an on-board dimmer.
- Fixtures with an on-board dimmer are not to be used on dimming circuits.

## DY-SY FITTER DETAIL



## ACCESSORIES

### Spread Lenses

**Universal Spread**  
OL-55 x 75-g  
(included)

### Screens

**Light Block Screen**  
B-15N/g

Photo-etched,  
15% light-blocking  
screen. Accepts  
up to 5 for 30%,  
45%, 60% or 75%  
(maximum)

## FINISHES

Consult with Litelab  
for other finishes

**P** White  
**MB** Black  
**CP** Custom Finish

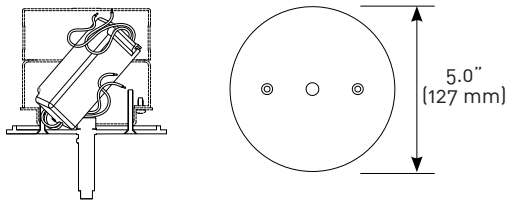
## CORD & PLUG OPTIONS

Consult factory.

**ADAPTERS**

**CANOPY WITH POWER SUPPLY (120V, 277V, 240V)**

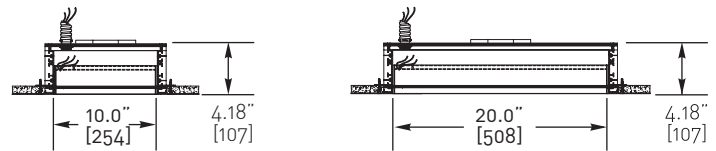
- 3L-A 120V
- 3L-D 240V



5" (127mm) diameter x 1/4" (6mm) height machined canopy with electronic low-voltage power supply. (Junction box and raised mud ring not included.)

The number of electrical boxes shown is for reference only, and is the minimum required to fit the power supply indicated. Add extension boxes as necessary to meet the volume requirement based on wire fill as defined by National Electrical Code, Article 314.

**BUSPOINTS**

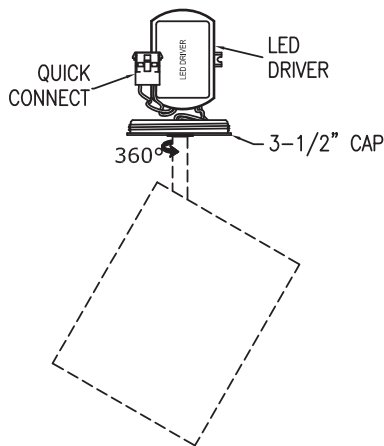


- BP1-08-1A-10** 120V
- BP1-08-3D-10** 240V

- BP1-08-1A-20** 120V
- BP1-08-3D-20** 240V

**3-1/2" QUICK CONNECT CANOPY**

3-1/2" canopy voltage



- 5L-A 120V
- 5L-D 240V

**QC-5K** kit is required with -5L fixture.

**3-1/2" QUICK CONNECT FLANGE KIT**

**QC-5K** kit for use with -5L fixture.

