

Museum Collection Advantage Series

Job Name:

Fixture Type:

LED 10° to 30° Zoom

A01



Specify:

 - - - - -

FIXTURE MODEL	LUMENS	ADAPTER	VOLTAGE	CRI	CCT	FINISH
---------------	--------	---------	---------	-----	-----	--------

Example:

 | - - - | -

This Litelab fixture features a proprietary 10 to 30 degree optic for precision variable focus. The ultra-high-efficiency LED allows maximum light output from a small fixture. The CREE CXB engine is available in an architectural range of color temperatures and produces high CRI and R9 values.

LUMEN OPTIONS	CRI /CCT COLOR TEMP OPTIONS	INPUT REQUIREMENTS
L1800 1800 lumens	93 30 93 CRI/3000°K	120VAC/50-60Hz: 22.6w/0.19A

For alternative Lumen outputs and Color Temperatures - consult factory.

Features & Benefits

Fixture Description

Single piece die-cast aluminum fixture body allows for high efficiency passive cooling. Deep regressed LED and optic designed for maximum glare control. Telescoping accessory holder allows for precision tool-less variable 10° to 30° focus.

Flush Fit adapter with Rotation Lock *

Adapter plugs into Busway with separate electrical and mechanical connections. Supplied with standard thumb wheel rotation lock. An optional switch is available and other standard Litelab fitters are available.

Zoom Mechanism

Allows the beam to be adjusted from 10° to 30° without tools.

Accessory Cartridge

Holds up to two accessories—including a range of lenses, filters and louvers.

Lenses & Accessories**

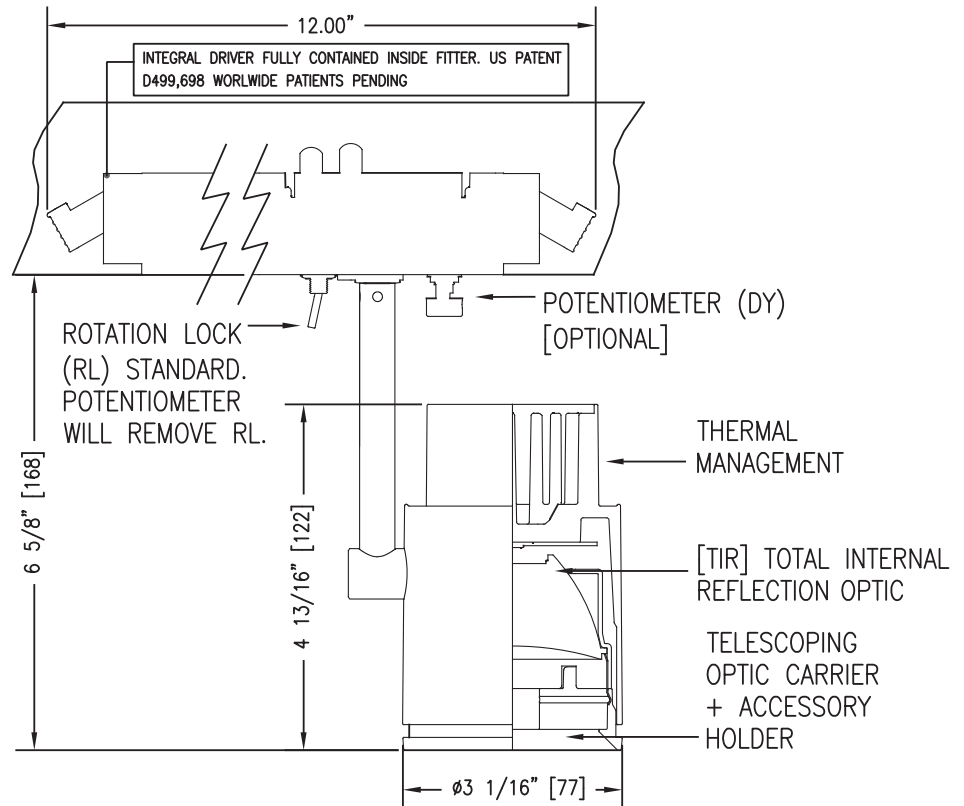
Standard clear lenses are available in 55° x 75°, 5° x 30° and 5° x 55° optical patterns. Photo etched light blocking screens and beam softener lens are also available. Accessory code shall be "g."

Finishes

Available in white, black and custom finish.

Dimming

This fixture is provided with an LED Driver suitable for trailing edge dimming. Dimming performance may vary based on dimmer model or system being used. If exact performance is required, Litelab recommends testing the Litelab fixture and specified dimmer. Fixtures specified with an on-board dimmer are not to be used on dimming circuits.



251 Elm Street Buffalo, NY 14203 USA
800-238-4120 • www.litelab.com © 12/17

*Covered under one or more of the following patents: US: 8,740,421 B2, D499, 698, D389,012, Republic of China: D149,379, People's Republic of China: ZL 201130358013.3, European Union: RCD #001920356-0001. Additional patents pending. **See fittings and accessories page for mounting options and accessories.

Input Fittings & Accessories

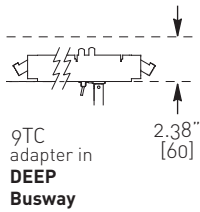
A01

Job Name:

Fixture Type:

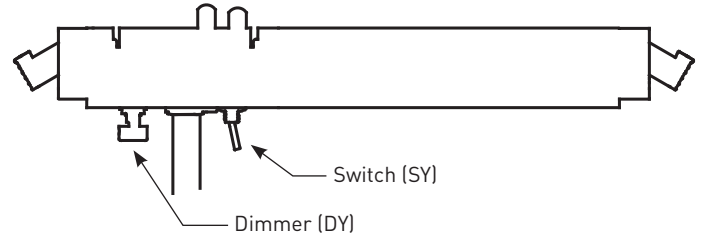
ADAPTERS

BUSRUN



adapter code	on-off switch	on-board dimmer w/ on-off switch	rotation lock*	voltage
	optional	optional	standard	
<input type="checkbox"/> 9TC	-SY	-DY	-RL	-A
fused Lock n Hide fitter with integral driver for use with Deep 120V BusRun busway				
<input type="checkbox"/> 9HC	-SY	-DY	-RL	-D
fused Lock n Hide fitter with integral driver for use with Deep 240V BusRun busway				
<input type="checkbox"/> 9TD	-SY	-DY	-RL	-A
fused plug-in fitter with integral driver for use with Deep 120V BusRun busway				
<input type="checkbox"/> 9HD	-SY	-DY	-RL	-D
fused plug-in fitter with integral driver for use with Deep 240V BusRun busway				

DY-SY FITTER DETAIL (240 VOLT ONLY)



ACCESSORIES

Spread Lenses

- Linear Spread
- OL- 5° x 30°-g
- OL- 5° x 55°-g

Universal Spread

- OL- 55° x 75°-g

Beam Softener

- OL-SF-g
 - OL-L10P1-g
- polycarbonate film

Screens

- Light Block Screen
- B-15N/g

Photo-etched, 15% light-blocking screen. Accepts up to 5 for 30%, 45%, 60% or 75% (maximum)

Louvers

- LVH/g

REFLECTORS

10° to 30° Adjustable Beam Spread

FINISHES

Consult with Litelab for other finishes

- P White
- MB Black
- CP Custom Finish

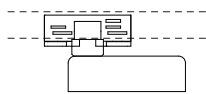
CORD & PLUG OPTIONS

Consult factory.

* When DY -SY option is specified, RL rotation lock feature is not available.

EU TRACK (120V, 240V)

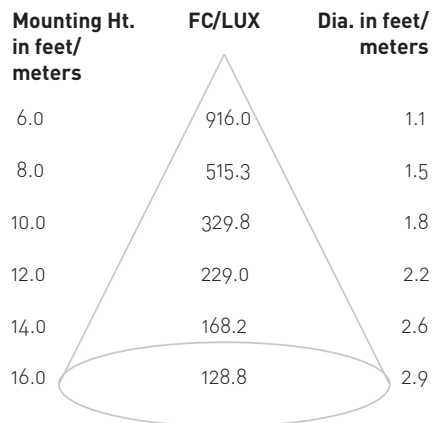
2-3 Circuit



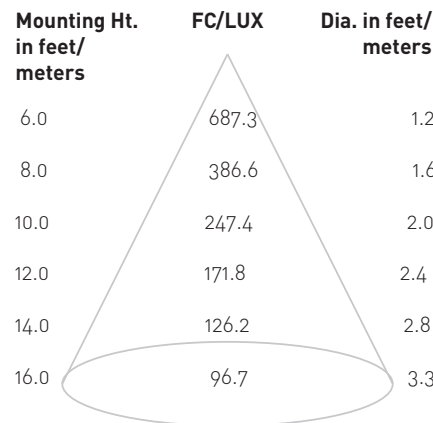
adapter code	data bus contacts	on-board dimmer w/ on-off switch	voltage
	optional	optional	
<input type="checkbox"/> E2	DB	-DY-SY	-A
track adapter for use with 2-circuit Eutrac			
<input type="checkbox"/> E3	DB	-DY-SY	-D
track adapter for use with 3-circuit Eutrac			

- When specifying data bus contacts, indicate control protocol.
- Data bus contacts cannot be used on fixture with an on-board dimmer.
- Fixtures with an on-board dimmer are not to be used on dimming circuits.

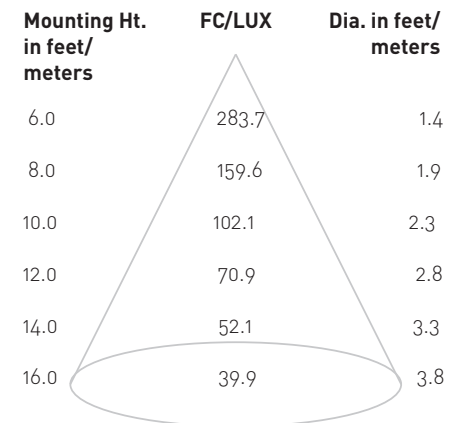
A01L1800 10° Setting



A01L1800 20° Setting



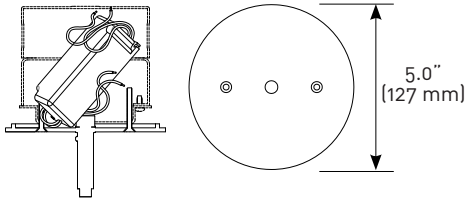
A01L1800 30° Setting



ADAPTERS

CANOPY WITH POWER SUPPLY (120V, 277V, 240V)

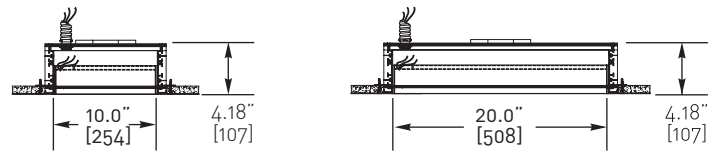
- 3L-A** 120V
- 3L-D** 240V



5" (127mm) diameter x 1/4" (6mm) height machined canopy with electronic low-voltage power supply. (Junction box and raised mud ring not included.)

The number of electrical boxes shown is for reference only, and is the minimum required to fit the power supply indicated. Add extension boxes as necessary to meet the volume requirement based on wire fill as defined by National Electrical Code, Article 314.

BUSPOINTS

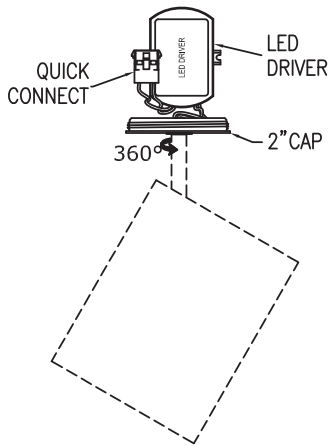


- BP1-08-1A-10** 120V
- BP1-08-1A-20** 120V
- BP1-08-3D-10** 240V
- BP1-08-3D-20** 240V

2" QUICK CONNECT CANOPY

2" canopy voltage

- 4L-A** 120V

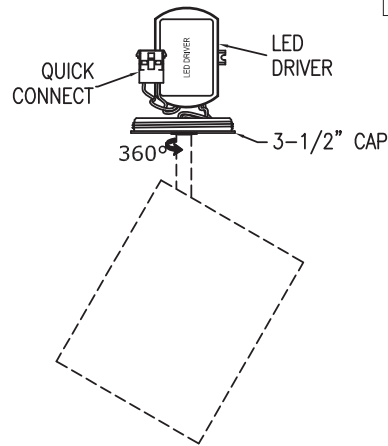


QC-4K kit is required with -4L fixture.

3-1/2" QUICK CONNECT CANOPY

3-1/2" canopy voltage

- 5L-D** 240V

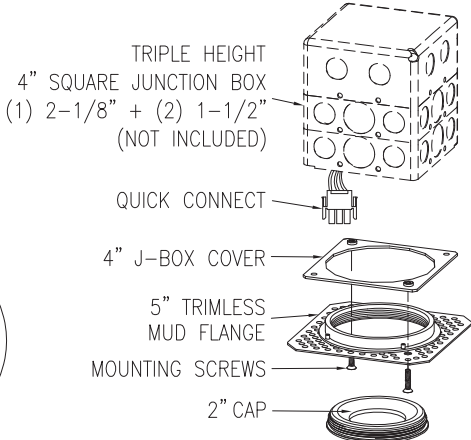


QC-5K kit is required with -5L fixture.

2" QUICK CONNECT FLANGE KIT

QC-4K kit for use with -4L fixture.

(For use with 120V, Reverse Phase (ELV) dimming only.)



3-1/2" QUICK CONNECT FLANGE KIT

QC-5K kit for use with -5L fixture.

