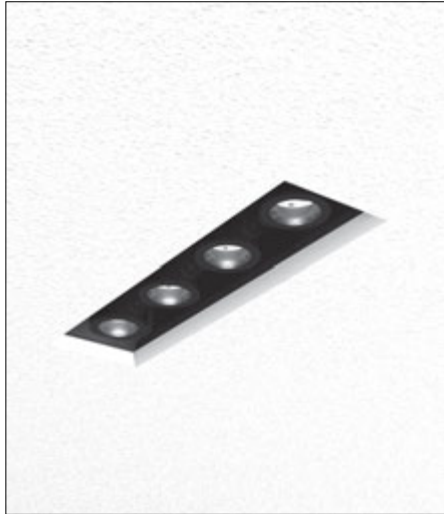


LED | Trimless Downlight

50mm LED



B-4-LED-TL-MB/P (as shown above)

job name: fixture type:

Spec: **B** - **L13** - **9** **30** - **202** **TL** - **MB** -

MODEL - #LAMPS LUMENS - CRI CCT VOLTS - LED MODULE TRIM - HOUSING FINISH TRIM FINISH - LENS

Ex: **B** - **3** **L13** - **9** **30** **A** - **202** **TL** - **MB** **P** - **20**

This recessed fixture is available in one to four adjustable heads. The compact design features a 1300 lumen LED and is available with three different beam spreads.

Lamp Options	Lumen Options	CRI Options	Color Temp (CCT)
1 1 lamp	L13 1300 lumens	9 90 CRI	30 3000°K
2 2 lamp			
3 3 lamp			
4 4 lamp			
Voltage Options	Finish Options	Beam Spreads with Max Aiming Angle	
A 120V	(Housing interior and fixture are standard black. Specify trim/bevel color.)	20 (20°)	↘ 38° max
D 230V	MB Black	26 (26°)	↘ 35° max
C 277V	P White	32 (32°)	↘ 33° max
	CP Custom Paint		

Features & Benefits

B-1-LED through B-4-LED*

Housing

Housing constructed of .05" aluminum. Wiring hidden behind false wall to provide clean interior view. Trim plate removable for ease of installation.

Lenses & Accessories**

Optional 5° x 30°, 5° x 55° or 55°x75° optical spread lens available. Photo etched light blocking screens, snoots, and louvers also available.

Accessory Size Code: a

Accessory Cartridge**

Front installing cartridge holds up to two accessories including lenses, snoots or light blocking screens.

Finishes

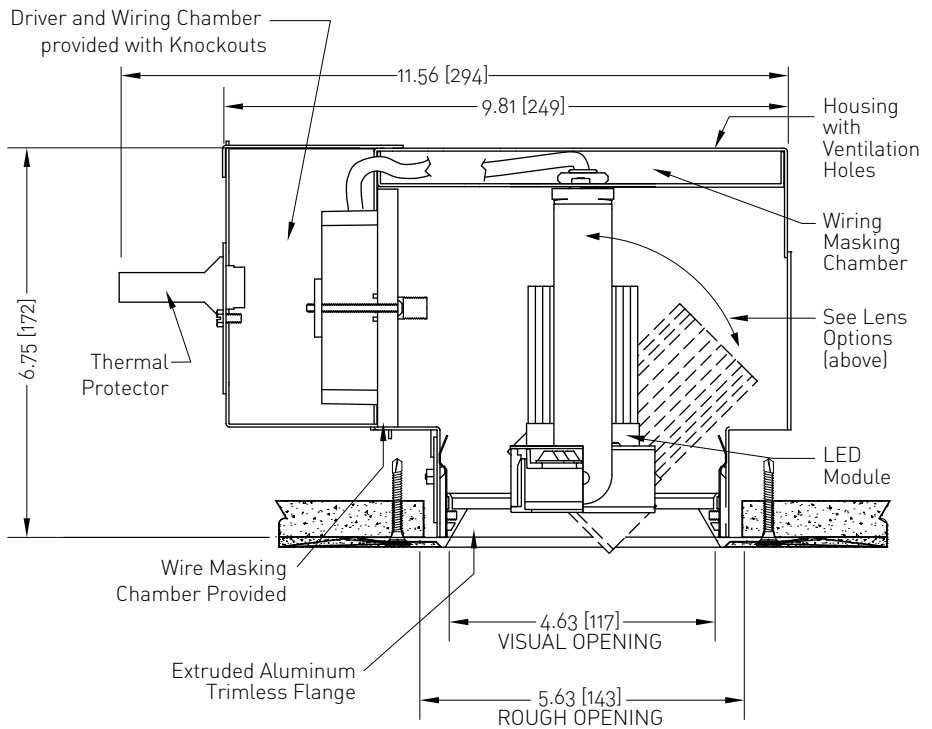
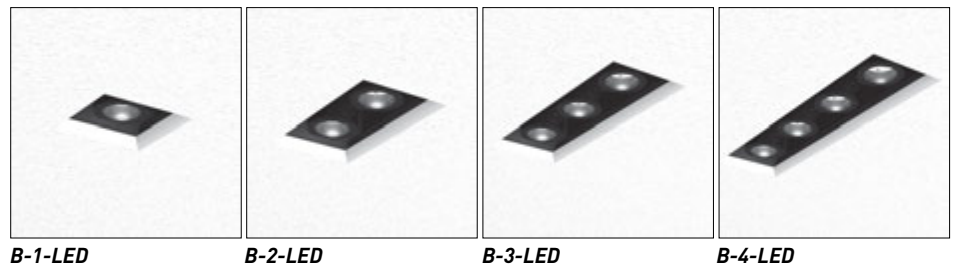
Housing interior is painted black. Trim cartridge can be specified in a durable powdercoat finish of white, black or custom finish.

Installation Information

Do not install insulation within 3" [76mm] of any part of this fixture. Do not block vent holes on fixture. Maximum ambient temperature not to exceed 35°C.

Dimming

Provided with a driver suitable for leading edge dimming (120V, 230V). Consult for 277V versions.



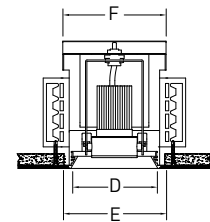
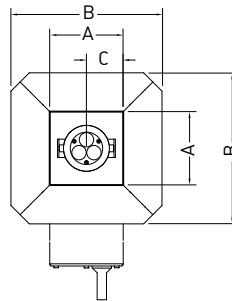
*Covered under one or more of the following patents: US: D499, 698, D389,012, Republic of China: D149,379, People's Republic of China: ZL 201130358013.3. Additional patents pending.
 **See fittings and accessories page for mounting options and accessories.



Aperture Details

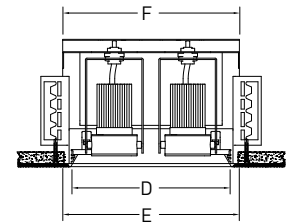
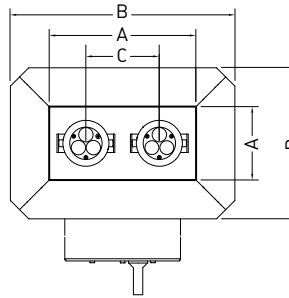
B-1-LED

(A) Aperture	4.0 [102] x 4.0 [102]
(B) Flange	8.25 [209] x 8.25 [209]
(C) Lamp Center	2.0 [51]
(D) Visual Opening	4.75 [121]
(E) Rough Opening	5.5 [140]
(F) Housing	5.63 [143]



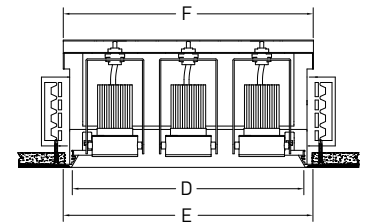
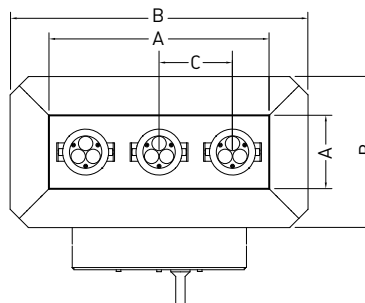
B-2-LED

(A) Aperture	8.0 [203] x 4.0 [102]
(B) Flange	12.25 [310] x 8.25 [209]
(C) Lamp Center	4.0 [102]
(D) Visual Opening	8.75 [222]
(E) Rough Opening	9.5 [241]
(F) Housing	9.63 [244]



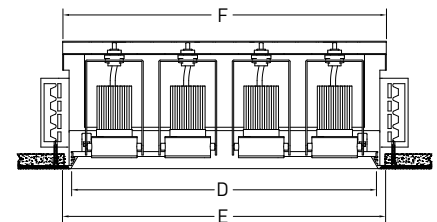
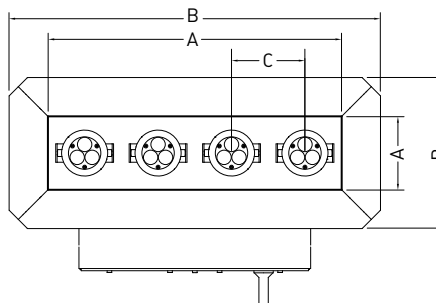
B-3-LED

(A) Aperture	12.0 [305] x 4.0 [102]
(B) Flange	16.19 [412] x 8.25 [209]
(C) Lamp Center	4.0 [102]
(D) Visual Opening	12.75 [324]
(E) Rough Opening	13.5 [343]
(F) Housing	13.63 [346]



B-4-LED

(A) Aperture	16.0 [408] x 4.0 [102]
(B) Flange	20.19 [513] x 8.25 [209]
(C) Lamp Center	4.0 [102]
(D) Visual Opening	16.75 [426]
(E) Rough Opening	17.5 [445]
(F) Housing	17.63 [448]



Accessories

Spread Lenses

Linear Spread*
 OL- 5° x 30°-a
 OL- 5° x 55°-a

Universal Spread
 OL- 55° x 75°-a

Beam Softener
 OL-SF-a

Louvers

Hexcell Louver
 LVH/a

Snoots

Straight
 SNOOT-S-a-6

Tapered
 SNOOT-T-a-4

Screens

Light Block Screen
 B-15N/a

Photo-etched, 15% light-blocking screen. Accepts up to 5 for 30%, 45%, 60% or 75% (maximum)

Input Requirements

1300 lumens	120V/50-60Hz:	20W/0.166A
	240V/50-60Hz:	20W/0.083A
	277V/50-60Hz:	20W/0.072A

